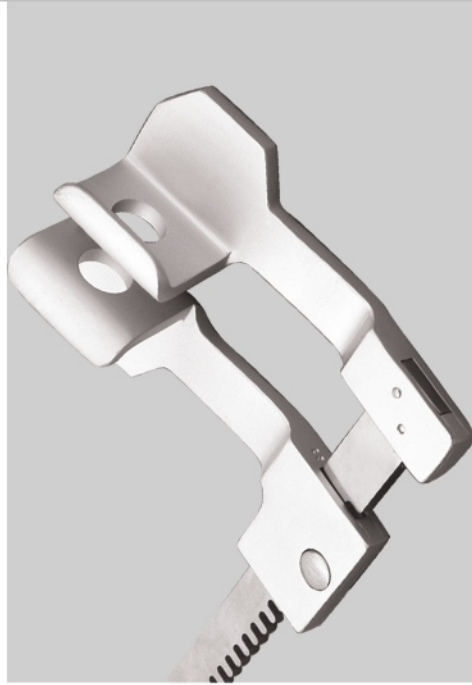




# THORACIC & LUNG SURGERY

# 36



PAGE 001 to 031



- EN Thoracic and Lung Surgery
- DE Brust und Lungenchirurgie
- ES Cirugía torácica y pulmonar

SERVING HEALTHCARE WORLDWIDE

[www.hilbro.net](http://www.hilbro.net)



THORACIC & LUNG SURGERY



**COLLIN**  
 36.0010.19 19.0cm



**STILLE**  
 36.0020.21 21.0cm



**GLUCK**  
 36.0030.19 19.0cm  
 36.0030.22 22.0cm



36.0040.20 20.0cm  
 36.0040.23 23.0cm



36.0050.22 22.0cm



36.0060.17 17.0cm

36.0060.17

**36-001**

[www.hilbro.net](http://www.hilbro.net)

36

EN Rib Shears, Sternum Scissors, Sternum Chisel  
DE Rippenscheren, Sternumschere, Sternummeißel  
ES Costotomos, tijera de esternon, cincel de esternon

Hilbro

THORACIC & LUNG SURGERY



**GIERTZ -STILLE**  
36.0070.27 27.0cm



**SAUERBRUCH - FREY**  
36.0080.36 36.0cm



**BRUNNER**  
32.0cm  
36.0090.28 right  
36.0092.28 left



**LEBSCHE**  
36.0100.24 24.5cm



**LEBSCHE**  
36.0110.25 25.0cm



**SAUERBRUCH**  
36.0120.26 26.0cm

36.0120.26

36-002

www.hilbro.net

THORACIC & LUNG SURGERY

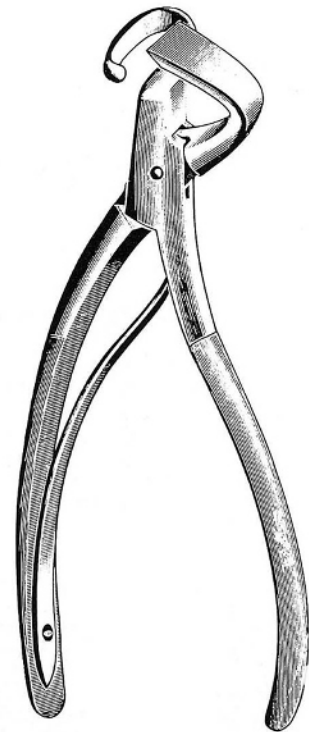


36.0132.35 35.0cm

**CORYLLOS**  
36.0130.35 35.0cm



**BETHUNE**  
36.0140.34 34.0cm



**DOYEN**  
36.0150.19 19.0cm

36.0150.19

**36-003**

[www.hilbro.net](http://www.hilbro.net)

# 36

EN Bone and Rib Shears

DE Knochen-und Rippenscheren

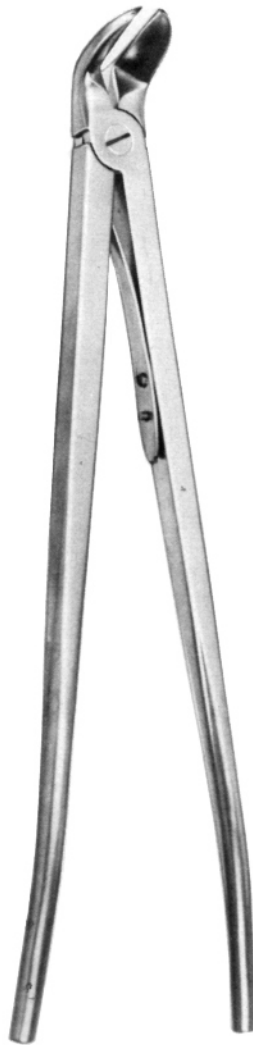
ES Cizallas para huesos

**Hilbro**

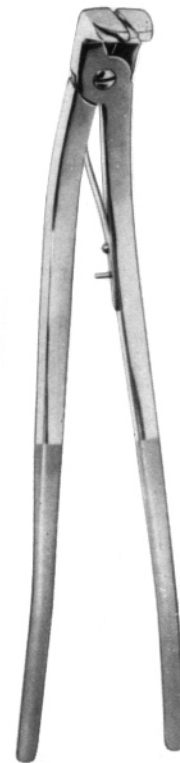
## THORACIC & LUNG SURGERY



**BETHUNE-NELSON**  
36.0160.34 34.0cm  
with probe ended blades



**ROBERTS**  
36.0170.34 34.0cm  
with angular probe ended blades



**ROBERTS**  
36.0180.34 34.0cm  
with angular probe ended  
blades of first and second ribs

36.0180.34

**36-004**

[www.hilbro.net](http://www.hilbro.net)

Bone and Rib Shears EN  
Knochen-und Rippscheren DE  
Cizallas para huesos ES

36

THORACIC & LUNG SURGERY

Hilbro



**SCHUMACHER**  
36.0190.21 21.0cm



**TUDOR EDWARDS**  
36.0200.23 23.0cm

36.0200.23

**36-005**

[www.hilbro.net](http://www.hilbro.net)

EN Rib Spreaders

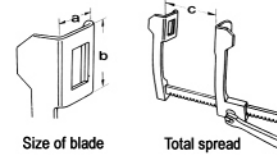
DE Rippensperrer

ES Separadores



## THORACIC & LUNG SURGERY

Scheme of dimensions



**CASTAÑEDA**

S/S	ALU	a	b	c
36.0300.01	36.7300.01	10.5mm	32mm	65mm
36.0300.02	36.7300.02	16mm	30mm	65mm



**CASTAÑEDA**

S/S	ALU	a	b	c
36.0302.01	36.7302.01	12mm	45mm	70mm



**CASTAÑEDA**

S/S	ALU	a	b	c
36.0304.01	36.7304.01	15mm	60mm	120mm

36.7304.01

**36-006**

www.hilbro.net

Rib Spreaders EN

Rippensperrer DE

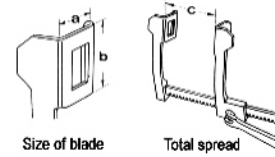
Separadores ES

# 36

## THORACIC & LUNG SURGERY



Scheme of dimensions



### COOLEY

S/S	ALU	a	b	c
36.0310.01	36.7310.01	12mm	13mm	95mm
36.0310.02	36.7310.02	12mm	17mm	75mm
36.0310.03	36.7310.03	14mm	16mm	85mm



### COOLEY

S/S	ALU	a	b	c
36.0312.01	36.7312.01	15mm	30mm	115mm
36.0312.02	36.7312.02	15mm	30mm	140mm
36.0312.03	36.7312.03	16mm	30mm	105mm
36.0312.04	36.7312.04	20mm	45mm	140mm
36.0312.05	36.7312.05	21mm	44mm	150mm
36.0312.06	36.7312.06	30mm	35mm	140mm



### COOLEY

S/S	ALU	a	b	c
36.0314.01	36.7314.01	30mm	50mm	185mm
36.0314.02	36.7314.02	35mm	50mm	200mm
36.0314.03	36.7314.03	37mm	49mm	200mm

36.7314.03

### 36-007

[www.hilbro.net](http://www.hilbro.net)



EN Rib Spreaders

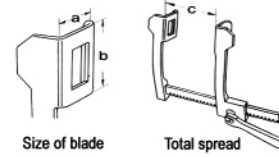
DE Rippensperrer

ES Separadores



## THORACIC & LUNG SURGERY

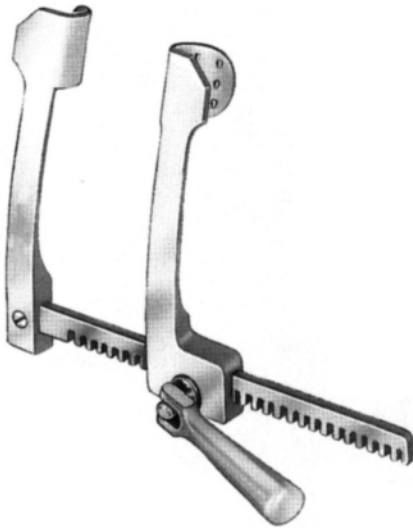
Scheme of dimensions



**COOLEY**

for neonatal

S/S	ALU	a	b	c
36.0320.01	36.7320.01	12mm	15mm	70mm



**COOLEY**

infant, sternal spreader

S/S	ALU	a	b	c
36.0322.01	36.7322.01	15mm	20mm	100mm



**COOLEY**

for babies

S/S	ALU	a	b	c
36.0330.01	36.7330.01	20mm	25mm	100mm

36.7330.01

**36-008**

www.hilbro.net

Rib Spreaders EN

Rippensperrer DE

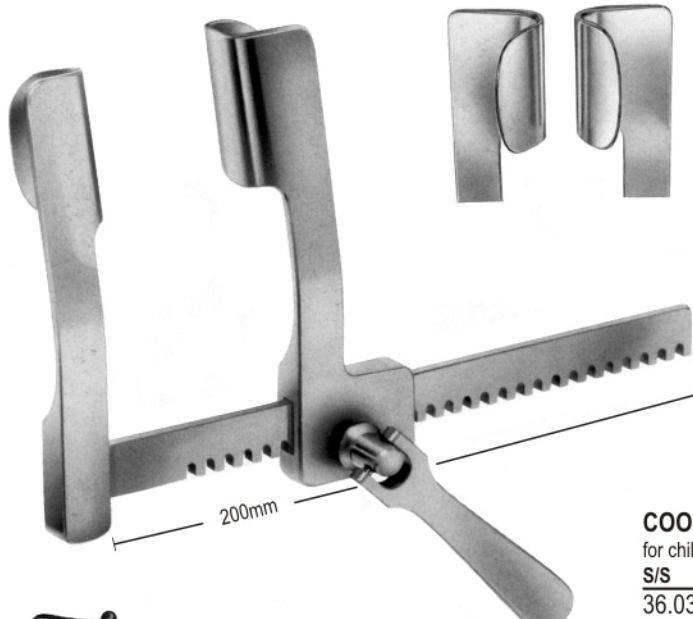
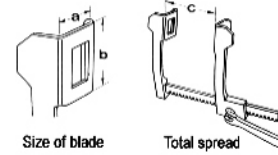
Separadores ES

# 36

## THORACIC & LUNG SURGERY



Scheme of dimensions



### COOLEY

for children

S/S	ALU	a	b	c
36.0340.01	36.7340.01	21mm	45mm	145mm

for adult

36.0340.02	36.7340.02	32mm	50mm	190mm
------------	------------	------	------	-------



### COOLEY

for children

S/S	ALU	a	b	c
36.0350.01	36.7350.01	35mm	100mm	180mm

for adult

36.0350.02	36.7350.02	35mm	115mm	230mm
------------	------------	------	-------	-------



### COOLEY

for adults with suture separator

S/S	ALU	a	b	c
36.0360.01	36.7360.01	35mm	100mm	180mm

36.7360.01

## 36-009

www.hilbro.net

EN Rib Spreaders

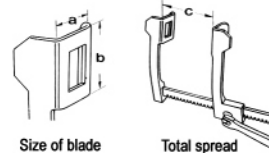
DE Rippensperrer

ES Separadores



## THORACIC & LUNG SURGERY

Scheme of dimensions



### H-COOLEY

with swivel convex blades, for babies

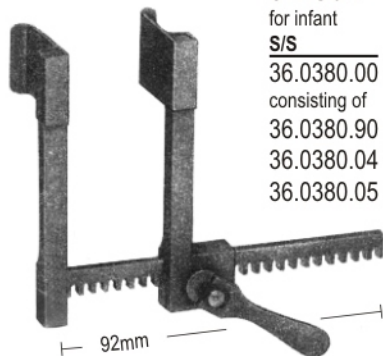
S/S	ALU	a	b	c
36.0370.01	36.7370.01	10mm	15mm	90mm



### H-COOLEY

with swivel blades, for babies

S/S	ALU	a	b	c
36.0370.02	36.7370.02	10mm	15mm	90mm



### STRUCK

for infant

S/S

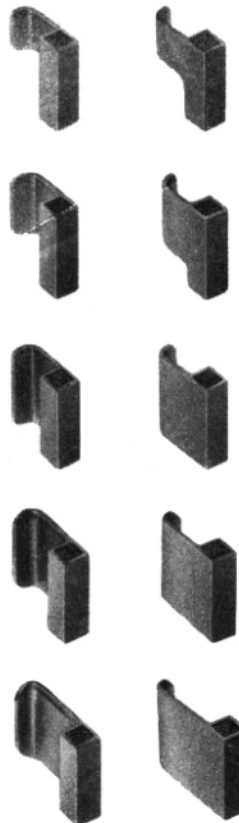
36.0380.00

consisting of

36.0380.90 spreader only

36.0380.04 1 pair

36.0380.05 1 pair



S/S blades only

36.0380.01  
10x10mm

36.0380.02  
10x15mm

36.0380.03  
10x20mm

36.0380.04  
15x20mm

36.0380.05  
20x20mm

36.7380.05

**36-010**

www.hilbro.net

Rib Spreaders EN

Rippensperrer DE

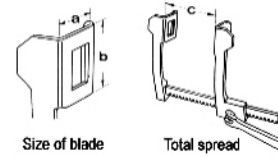
Separadores ES

36

## THORACIC & LUNG SURGERY

Hilbro

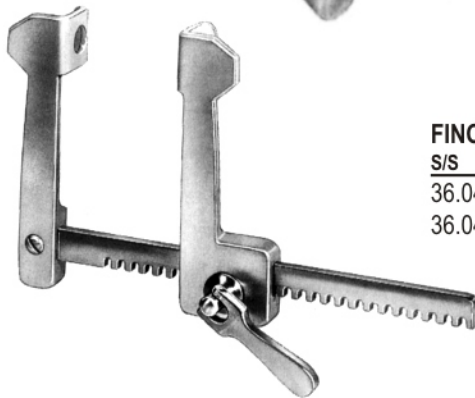
Scheme of dimensions



### WEINBERG

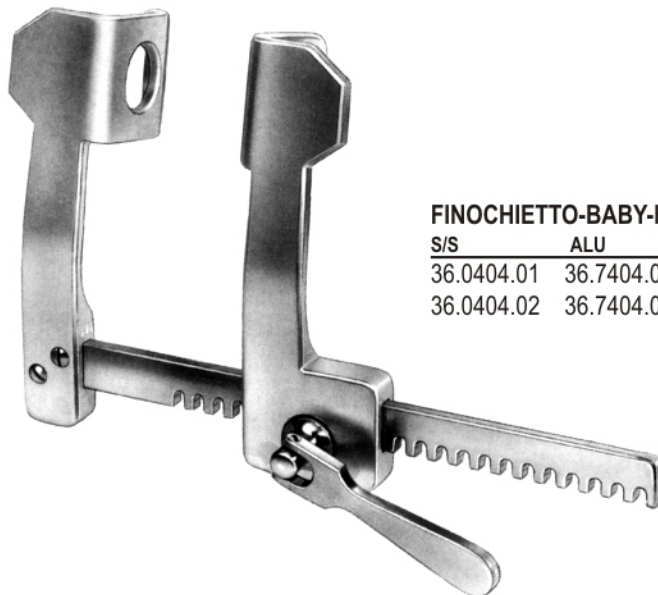
for children

S/S	ALU	a	b	c
36.0390.01	36.7390.01	12mm	20mm	95mm



### FINOCHIETTO-INFANT

S/S	ALU	a	b	c
36.0400.01	36.7400.01	12mm	15mm	70mm
36.0400.02	36.7400.02	15mm	15mm	75mm



### FINOCHIETTO-BABY-HAIGHT

S/S	ALU	a	b	c
36.0404.01	36.7404.01	27mm	30mm	95mm
36.0404.02	36.7404.02	31mm	31mm	100mm

36.7404.02

**36-011**

www.hilbro.net

EN Rib Spreaders

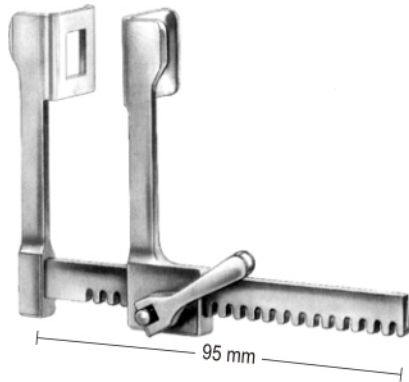
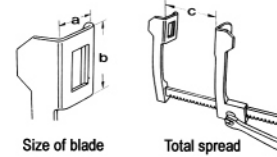
DE Rippensperrer

ES Separadores



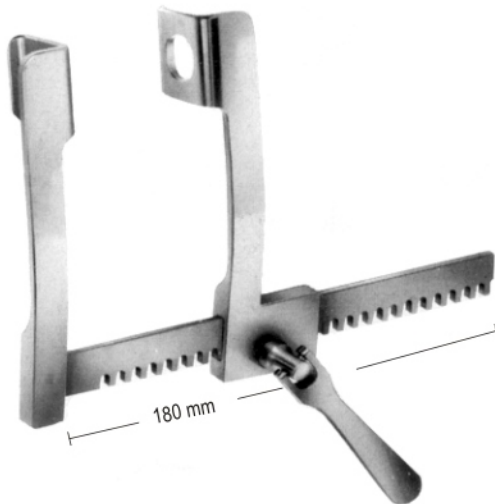
## THORACIC & LUNG SURGERY

Scheme of dimensions



### FINOCHIETTO-BABY

S/S	ALU	a	b	c
36.0410.01	36.7410.01	14mm	15mm	75mm
36.0410.02	36.7410.02	18mm	20mm	75mm



S/S	ALU	a	b	c
36.0420.01	36.7420.01	28mm	32mm	120mm



### FINOCHIETTO

S/S	ALU	a	b	c
36.0430.01	36.7430.01	12mm	15mm	100mm
36.0430.02	36.7430.02	28mm	30mm	143mm
36.0430.03	36.7430.03	31mm	45mm	210mm
36.0430.04	36.7430.04	42mm	61mm	245mm
36.0430.05	36.7430.05	74mm	64mm	245mm

36.7430.05

**36-012**

www.hilbro.net

Rib Spreaders EN

Rippensperrer DE

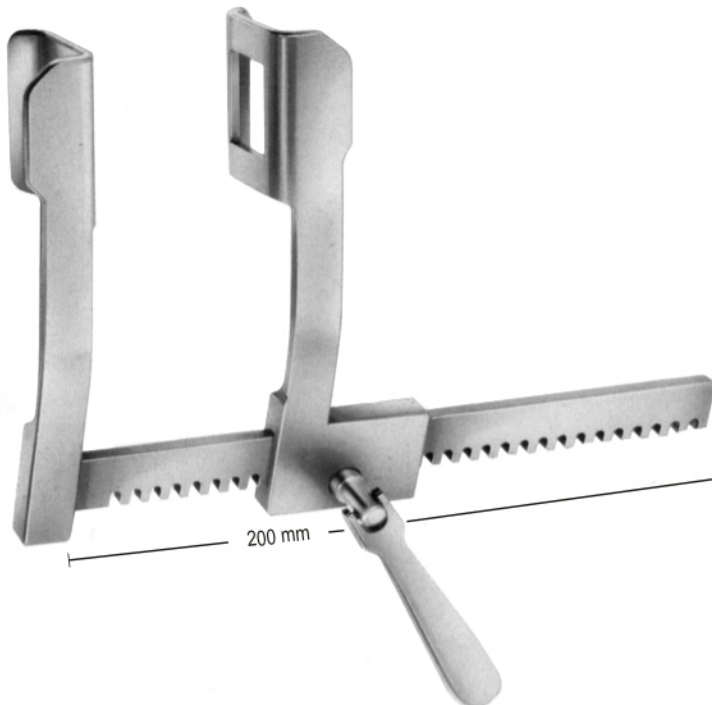
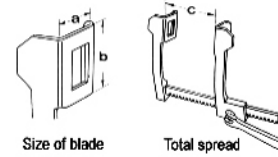
Separadores ES

36

## THORACIC & LUNG SURGERY

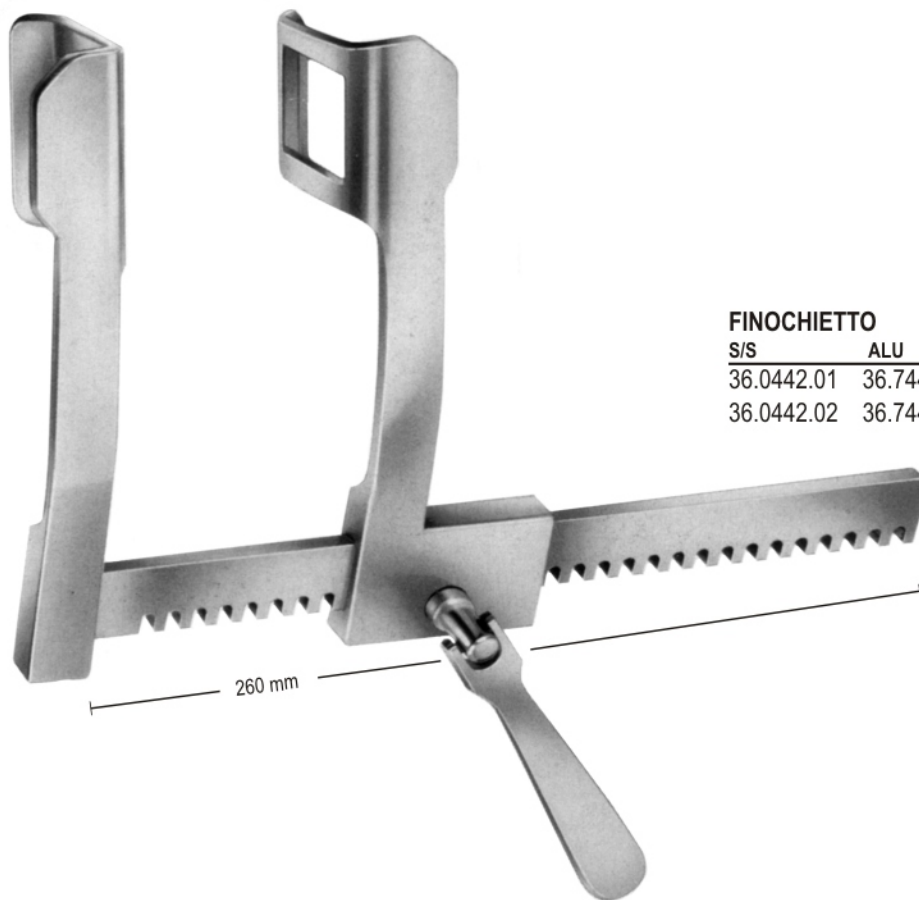
Hilbro

Scheme of dimensions



### FINOCHIETTO

S/S	ALU	a	b	c
36.0440.01	36.7440.01	36mm	45mm	140mm



### FINOCHIETTO

S/S	ALU	a	b	c
36.0442.01	36.7442.01	44mm	65mm	210mm
36.0442.02	36.7442.02	65mm	65mm	210mm

36.7442.02

36-013

www.hilbro.net

# 36

EN Rib Spreaders

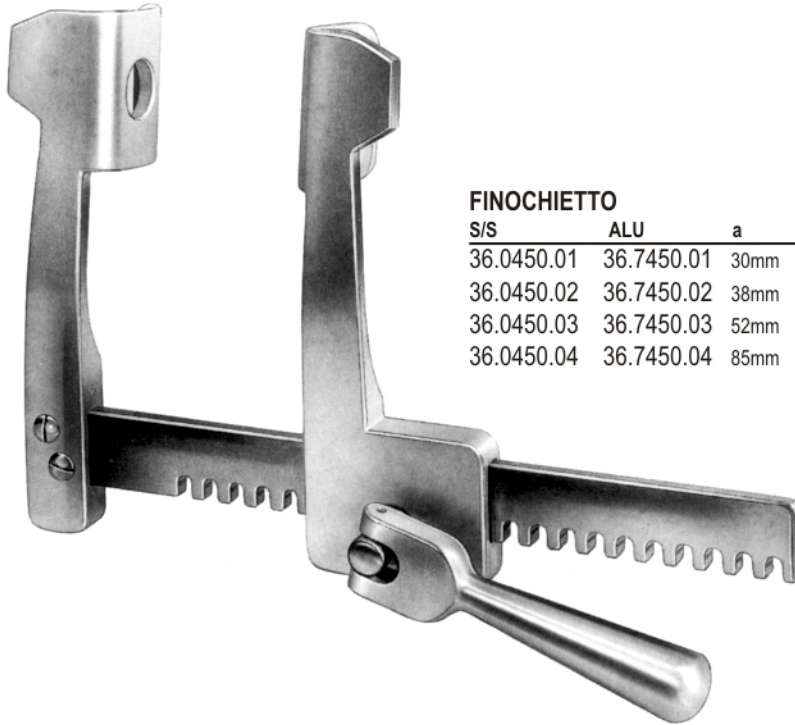
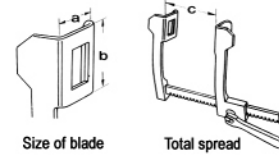
DE Rippensperrer

ES Separadores

**Hilbro**

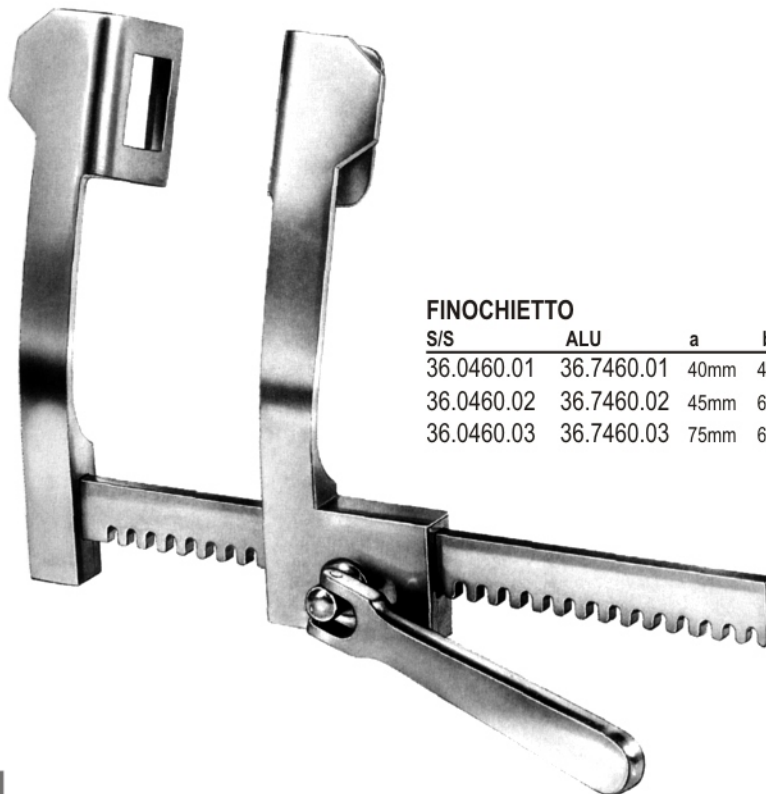
## THORACIC & LUNG SURGERY

Scheme of dimensions



### FINOCHIETTO

S/S	ALU	a	b	c
36.0450.01	36.7450.01	30mm	45mm	140mm
36.0450.02	36.7450.02	38mm	44mm	135mm
36.0450.03	36.7450.03	52mm	62mm	175mm
36.0450.04	36.7450.04	85mm	65mm	175mm



### FINOCHIETTO

S/S	ALU	a	b	c
36.0460.01	36.7460.01	40mm	40mm	165mm
36.0460.02	36.7460.02	45mm	65mm	200mm
36.0460.03	36.7460.03	75mm	65mm	250mm

36.7460.03

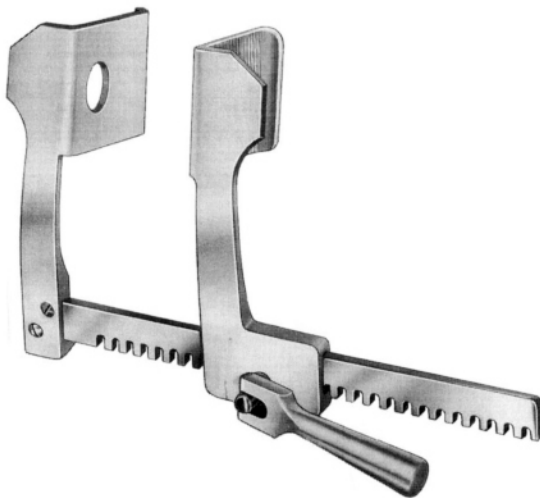
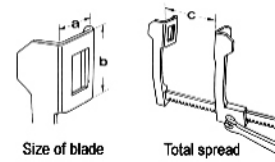
**36-014**

www.hilbro.net

## THORACIC &amp; LUNG SURGERY



Scheme of dimensions

**FINOCHIETTO**

for adults

S/S	ALU	a	b	c
36.0470.01	36.7470.01	42mm	62mm	170mm
36.0470.02	36.7470.02	73mm	65mm	170mm

**FINOCHIETTO**

for adults, with suture separator

S/S	ALU	a	b	c
36.0472.01	36.7472.01	42mm	62mm	170mm

**FINOCHIETTO**

for adults, with 2 blades attached to each arm

S/S	ALU	a	b	c
36.0480.01	36.7480.01	10mm	15mm	120mm
36.0480.02	36.7480.02	14mm	14mm	120mm
36.0480.03	36.7480.03	14mm	20mm	120mm

36.7480.03

**36-015**

www.hilbro.net



# 36

EN Rib Spreaders With Interchangeable Blades

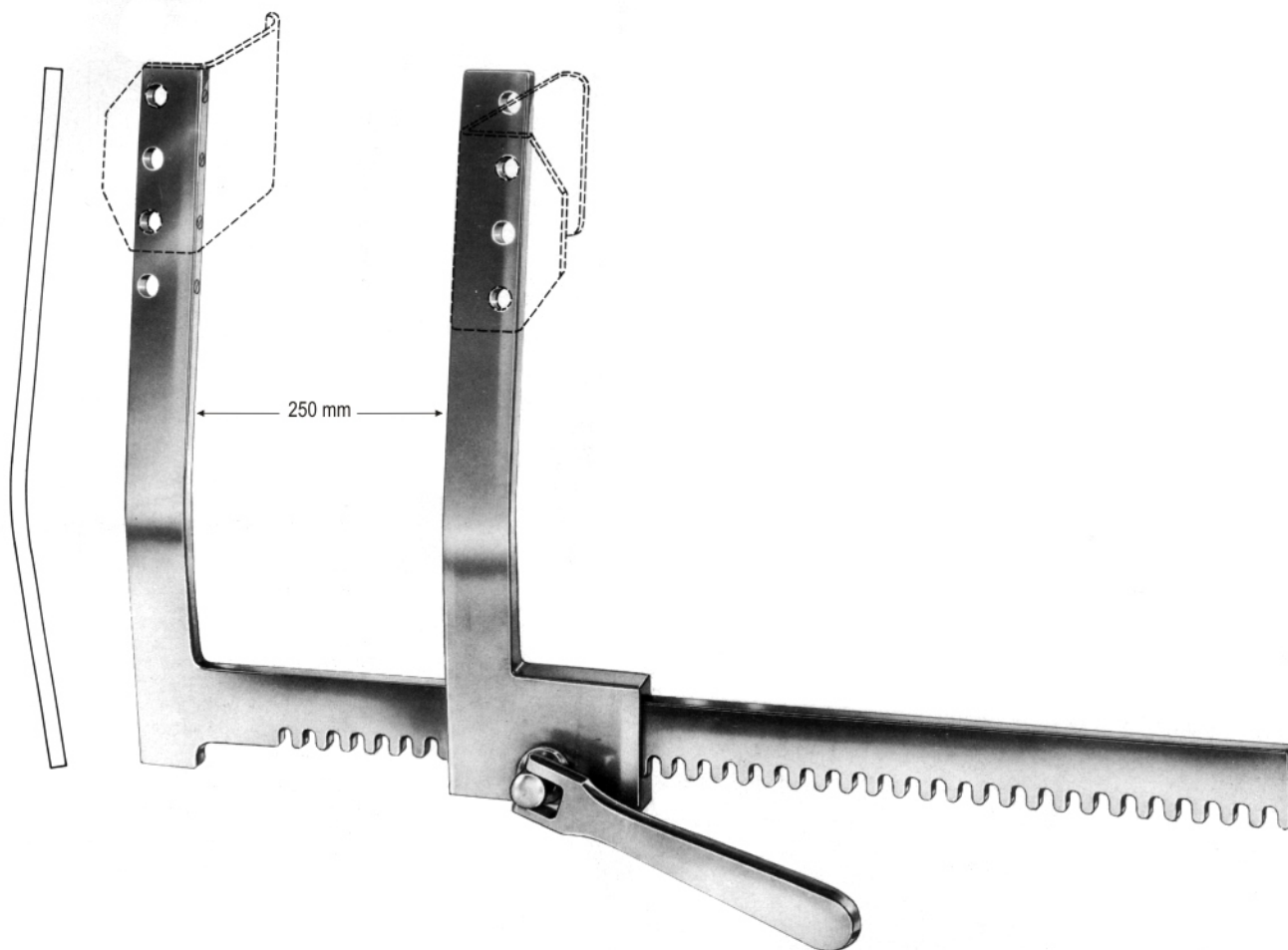
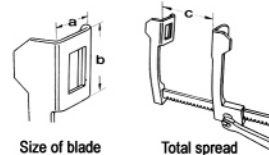
DE Rippensperrer Mit Wechselven

ES Separadores de costillas con valves intercambiables

**Hilbro**

## THORACIC & LUNG SURGERY

Scheme of dimensions



### FINOCHIETTO

3 pairs of exchangeable blades

S/S	ALU	S/S	ALU
36.0490.00	36.7490.00	36.0491.00	36.7491.00
blades		blades	
36.0490.30	36.7490.30	36.0491.40	36.7491.40
36.0490.40	36.7490.40	36.0491.50	36.7491.50
36.0490.50	36.7490.50	36.0491.60	36.7491.60
frame only 150mm		frame only 250mm	
36.0490.01	36.7490.01	36.0491.01	36.7491.01

36.7491.01

**36-016**

www.hilbro.net

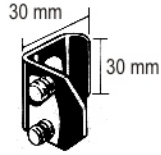
Interchangeable Blades EN

Wechseln DE

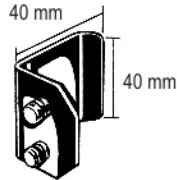
valves intercambiables ES

# 36

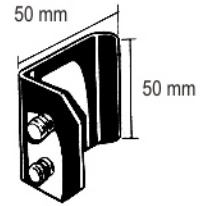
## THORACIC & LUNG SURGERY



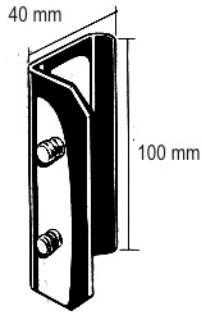
S/S      Alu  
36.0490.30   36.7490.30  
30x30mm



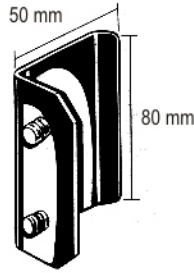
S/S      Alu  
36.0490.40   36.7490.40  
40x40mm



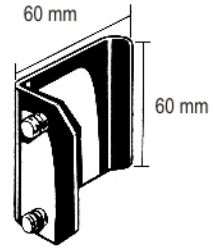
S/S      Alu  
36.0490.50   36.7490.50  
50x50mm



S/S      Alu  
36.0491.40   36.7491.40  
40x100mm

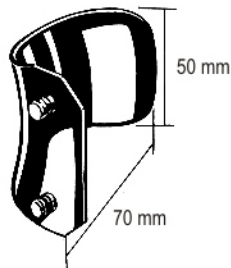


S/S      Alu  
36.0491.50   36.7491.50  
50x80mm

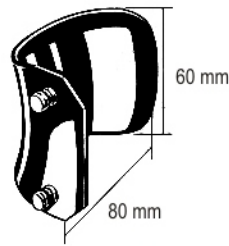


S/S      Alu  
36.0491.60   36.7491.60  
60x60mm

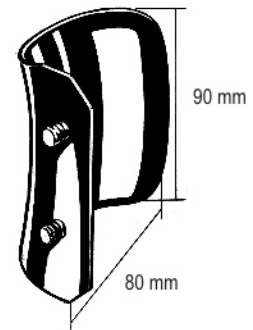
### Optional Exchangeable Blades



S/S      Alu  
36.0491.70   36.7491.70  
70x50mm



S/S      Alu  
36.0491.80   36.7491.80  
80x60mm



S/S      Alu  
36.0491.90   36.7491.90  
80x90mm

36.7491.90

**36-017**

[www.hilbro.net](http://www.hilbro.net)

EN Rib Spreaders

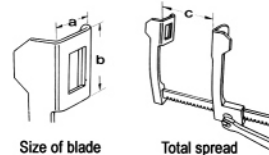
DE Rippensperrer

ES Separadores



## THORACIC & LUNG SURGERY

Scheme of dimensions



Size of blade

Total spread



### BURFORD

for children  
with 2 pairs of blades

S/S	ALU	a	b	c
36.0500.01	36.7500.01	30mm 41mm	42mm 42mm	130mm
36.0500.02	36.7500.02	34mm 48mm	42mm 42mm	135mm



### BURFORD

for adults  
with 2 pairs of blades

S/S	ALU	a	b	c
36.0502.01	36.7502.01	47mm 65mm	62mm 62mm	200mm
36.0502.02	36.7502.02	47mm 65mm	62mm 62mm	260mm
36.0502.03	36.7502.03	47mm 65mm	62mm 62mm	300mm

36.7502.03

**36-018**

www.hilbro.net

Rib Spreaders EN

Rippensperrer DE

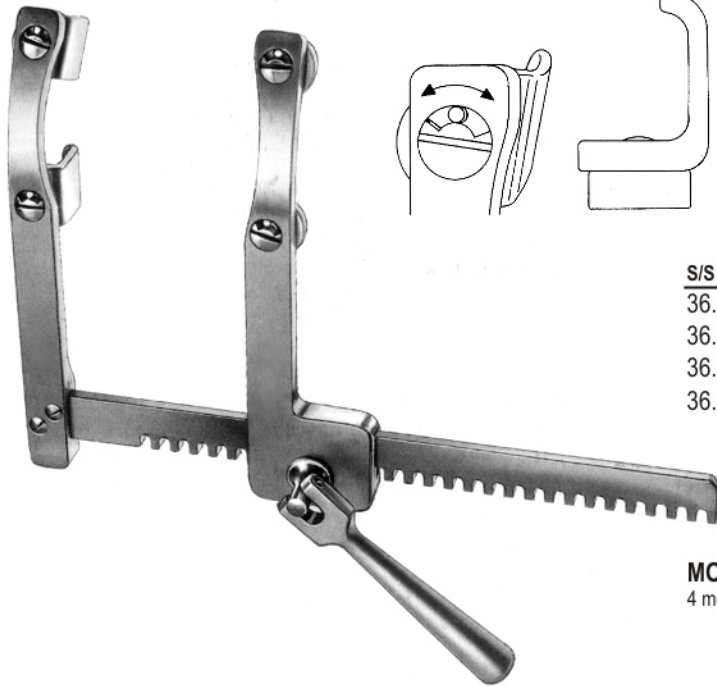
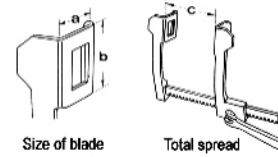
Separadores ES

# 36

## THORACIC & LUNG SURGERY

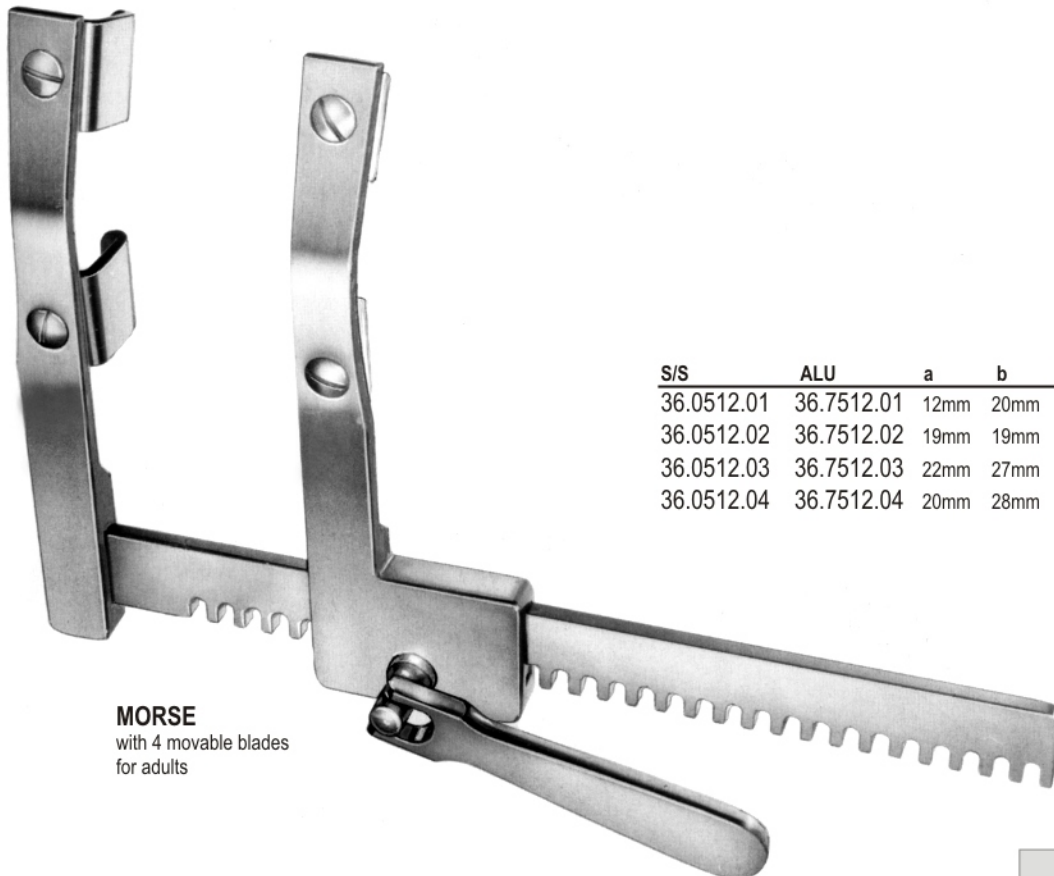


Scheme of dimensions



S/S	ALU	a	b	c
36.0510.01	36.7510.01	12mm	20mm	155mm
36.0510.02	36.7510.02	20mm	20mm	155mm
36.0510.03	36.7510.03	40mm	20mm	155mm
36.0510.04	36.7510.04	17mm	22mm	160mm

**MORSE-FAVALORO**  
4 movable blades for children



S/S	ALU	a	b	c
36.0512.01	36.7512.01	12mm	20mm	200mm
36.0512.02	36.7512.02	19mm	19mm	200mm
36.0512.03	36.7512.03	22mm	27mm	200mm
36.0512.04	36.7512.04	20mm	28mm	210mm

**MORSE**  
with 4 movable blades  
for adults

36.7512.04

**36-019**

www.hilbro.net

EN Rib Spreaders

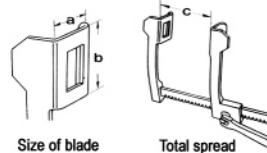
DE Rippensperrer

ES Separadores

**Hilbro**

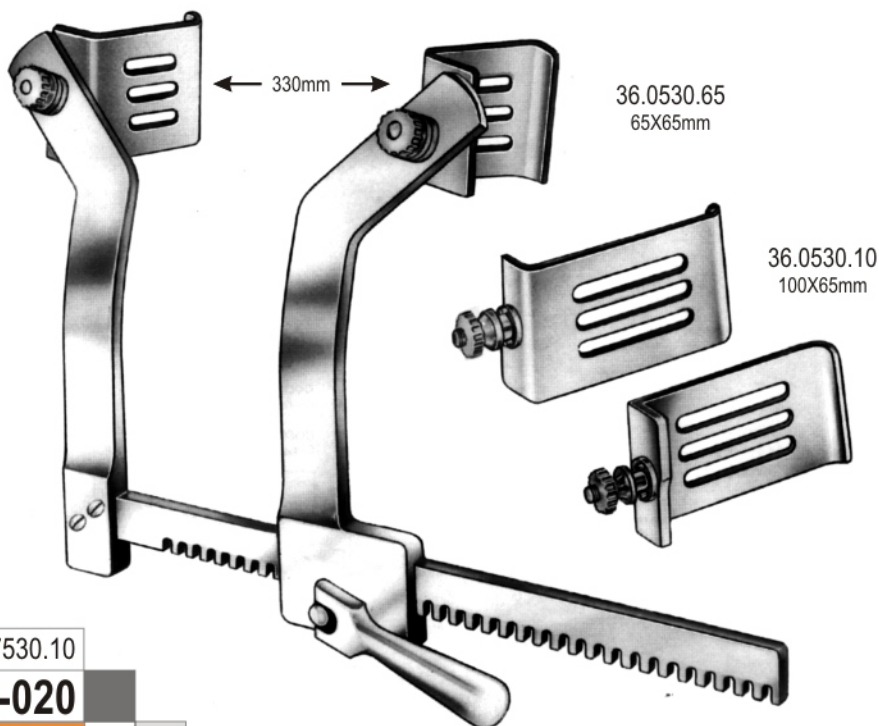
## THORACIC & LUNG SURGERY

Scheme of dimensions



### MORSE STERNAL

S/S	ALU	a	b	c
36.0520.01	36.7520.01	30mm	35mm	200mm



36.0530.65  
65X65mm

36.0530.10  
100X65mm

### BRAASTAD

S/S	ALU
36.0530.01	36.7530.01
with 2 pairs of blades	
36.0530.65	36.7530.65
36.0530.10	36.7530.10

36.7530.10

**36-020**

www.hilbro.net

Rib Spreaders EN

Rippensperrer DE

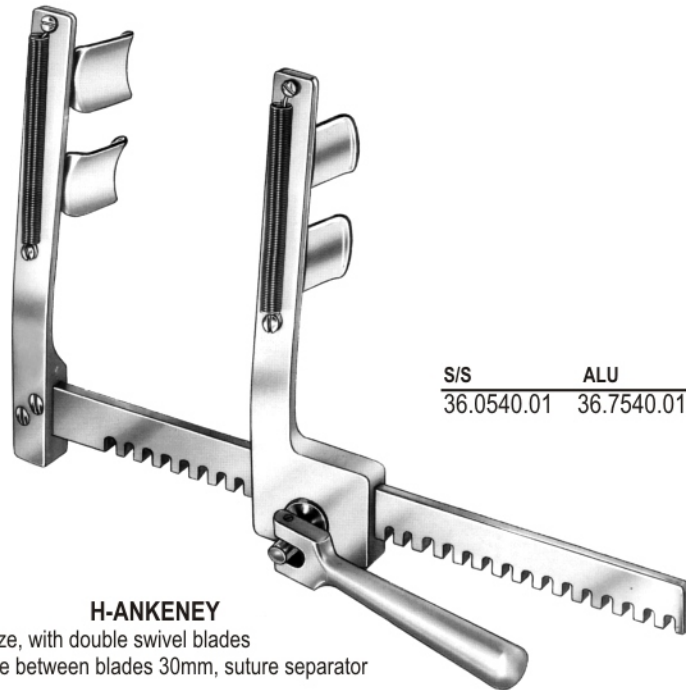
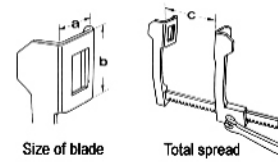
Separadores ES

# 36

## THORACIC & LUNG SURGERY

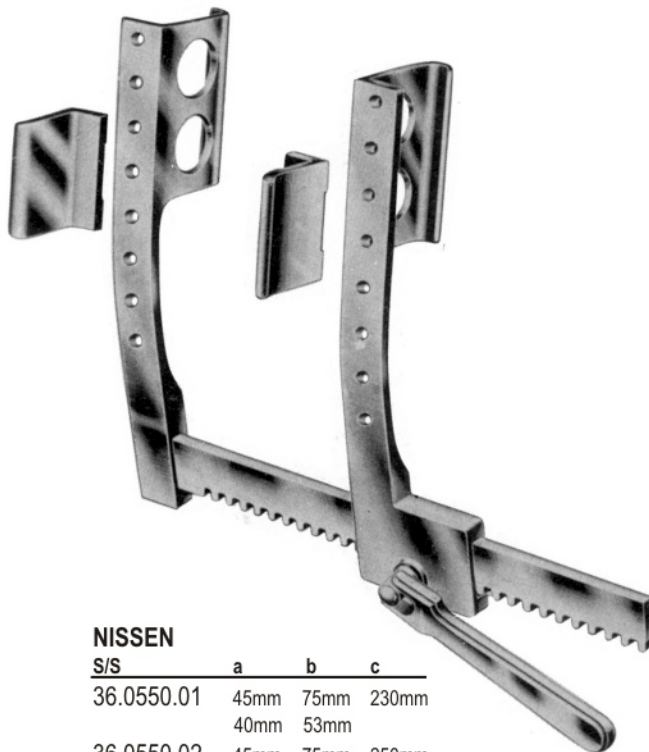


Scheme of dimensions

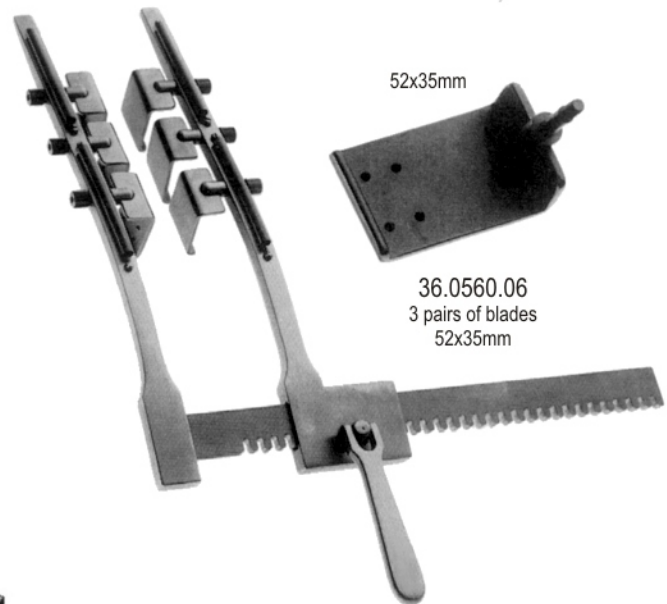


S/S	ALU	a	b	c
36.0540.01	36.7540.01	20mm	20mm	160mm

**H-ANKENEY**  
child size, with double swivel blades  
distance between blades 30mm, suture separator



NISSEN				
S/S	a	b	c	
36.0550.01	45mm	75mm	230mm	
	40mm	53mm		
36.0550.02	45mm	75mm	250mm	
	40mm	53mm		



ANKENEY				
S/S	a	b	c	
36.0560.01	52mm	35mm	178mm	

52x35mm

36.0560.06  
3 pairs of blades  
52x35mm

36.0560.06

### 36-021

www.hilbro.net

EN Rib Spreaders

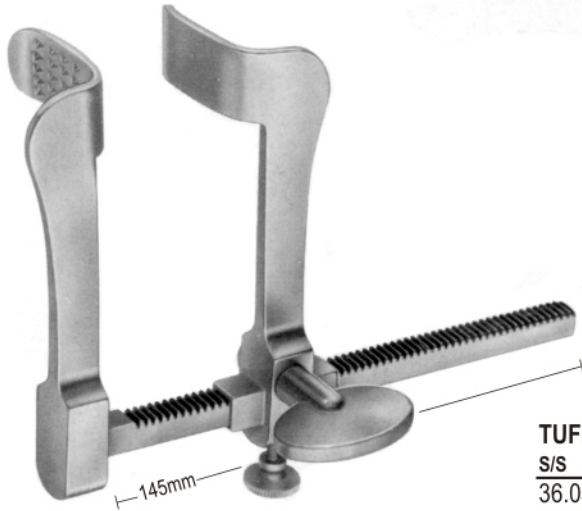
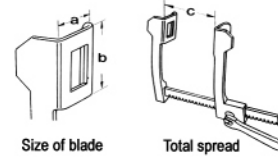
DE Rippensperrer

ES Separadores



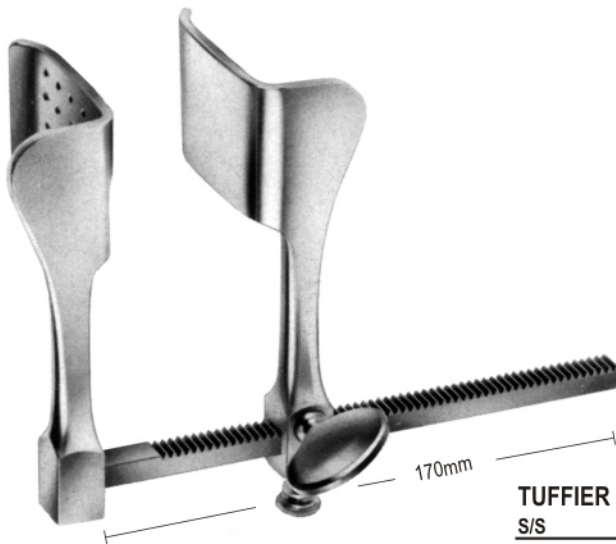
## THORACIC & LUNG SURGERY

Scheme of dimensions



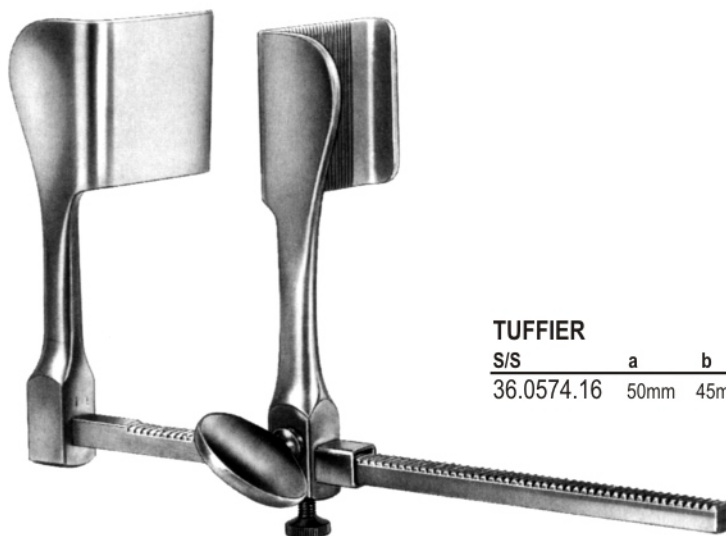
TUFFIER

S/S	a	b	c
36.0570.14	32mm	19mm	110mm



TUFFIER

S/S	a	b	c
36.0572.17	43mm	53mm	130mm



TUFFIER

S/S	a	b	c
36.0574.16	50mm	45mm	165mm

36.0574.16

**36-022**

www.hilbro.net

Rib Spreaders EN

Rippensperrer DE

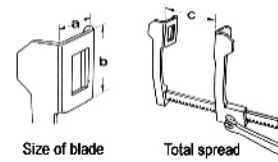
Separadores ES

# 36

## THORACIC & LUNG SURGERY

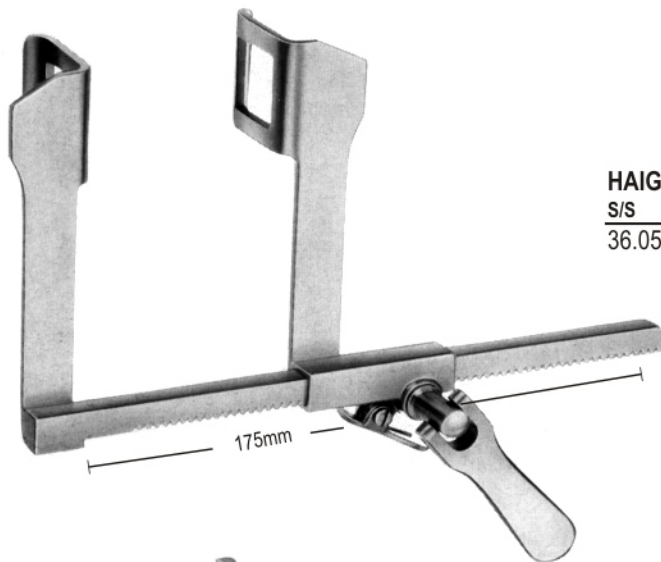


Scheme of dimensions



### HAIGHT

S/S	a	b	c
36.0580.14	30mm	30mm	90mm



### HAIGHT

S/S	a	b	c
36.0582.15	30mm	30mm	115mm



### HERTZLER

S/S	a	b	c
36.0590.15	20mm	25mm	105mm

36.0590.15

**36-023**

[www.hilbro.net](http://www.hilbro.net)



EN Rib Spreaders

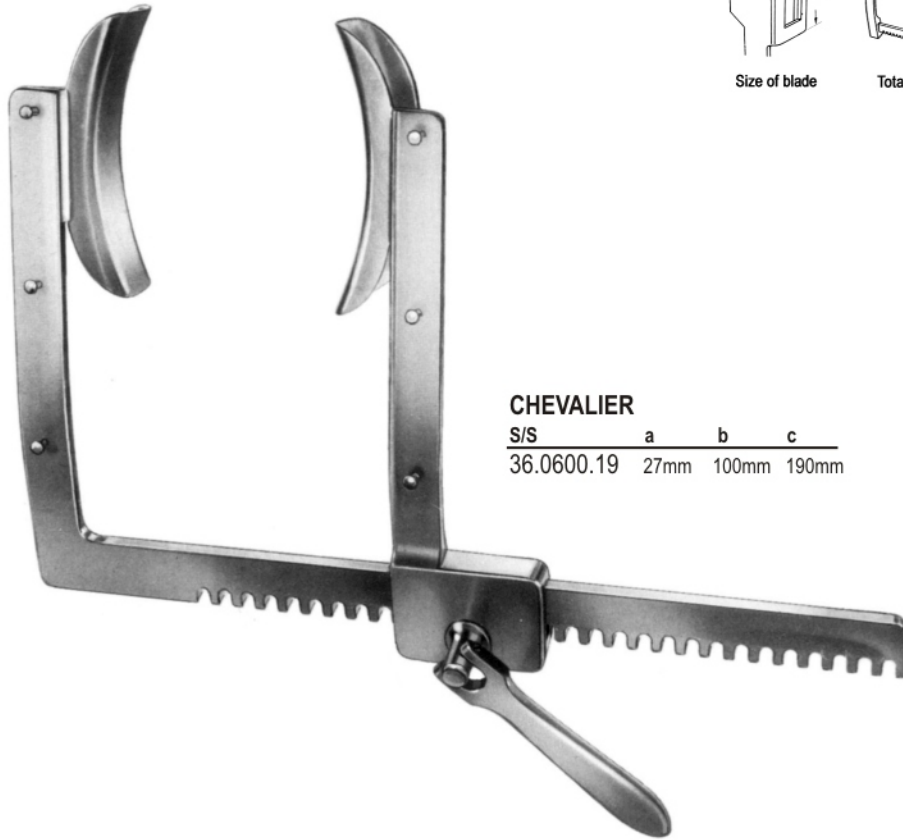
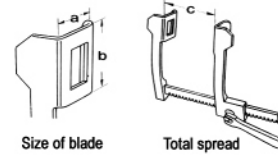
DE Rippensperrer

ES Separadores



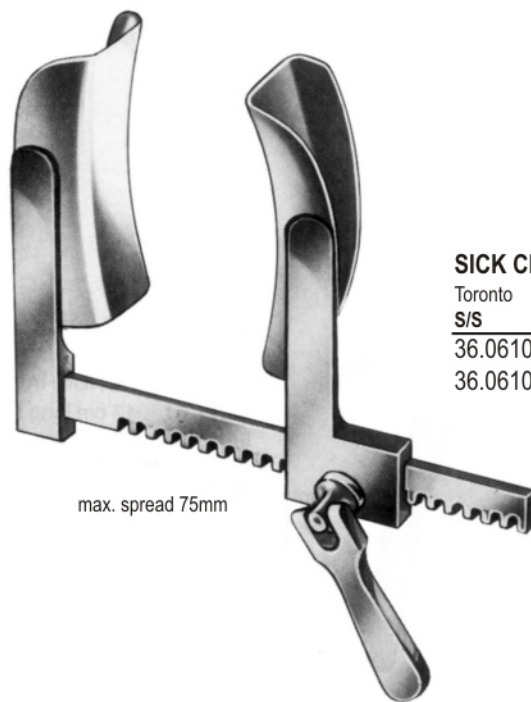
## THORACIC & LUNG SURGERY

Scheme of dimensions



### CHEVALIER

S/S	a	b	c
36.0600.19	27mm	100mm	190mm



### SICK CHILDREN HOSPITAL

Toronto

S/S		a	b	c
36.0610.01	(infant)	20mm	40mm	75mm
36.0610.02	(infant)	20mm	60mm	75mm

max. spread 75mm

36.0610.02

**36-024**

www.hilbro.net

Rib Spreaders EN

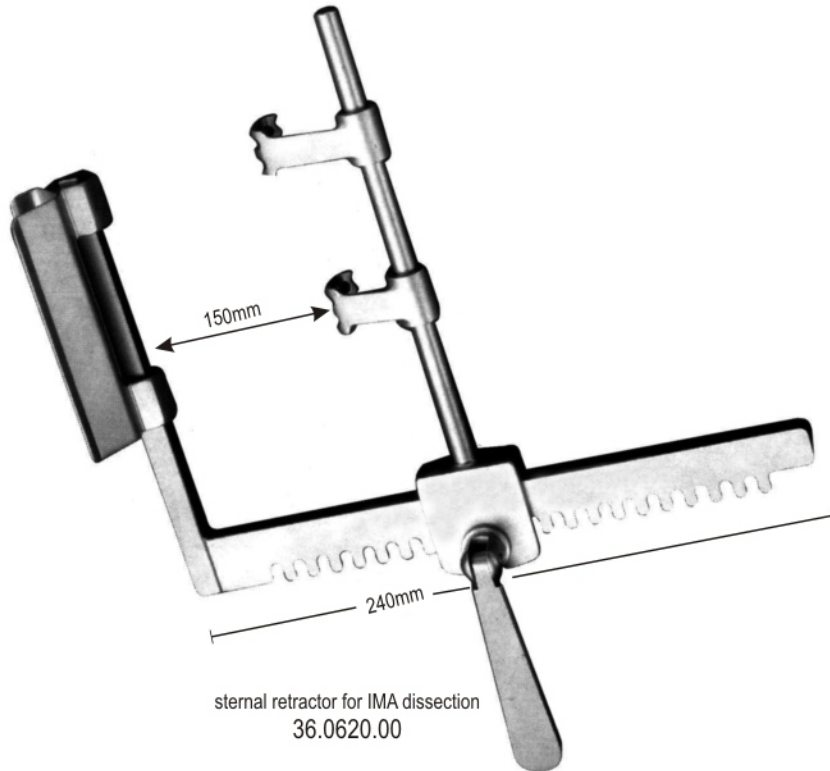
Rippensperrer DE

Separadores ES

36

## THORACIC & LUNG SURGERY

Hilbro



sternal retractor for IMA dissection  
36.0620.00



Carpenter's thoracic retractor  
(adult)  
36.0630.00 complete

36.0630.00

36-025

www.hilbro.net

# 36

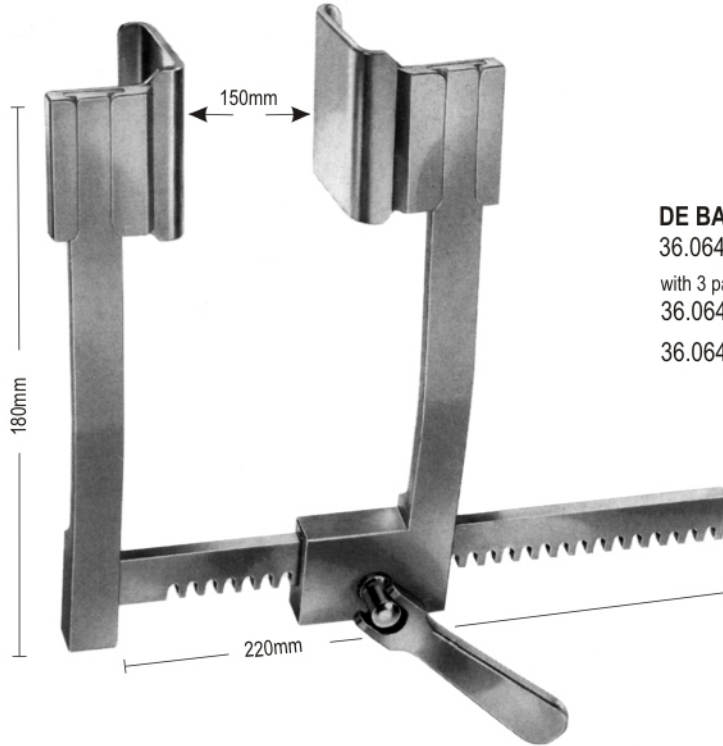
EN Rib Spreaders

DE Rippensperrer

ES Separadores

**Hilbro**

## THORACIC & LUNG SURGERY



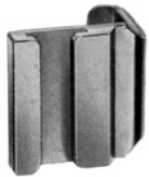
### DE BAKEY

36.0640.00

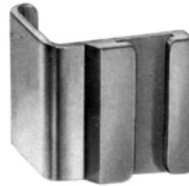
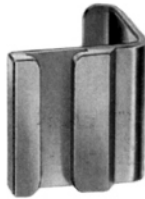
with 3 pairs of blades

36.0640.01 / 36.0640.02 / 36.0640.03

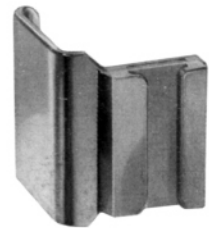
36.0640.22 spreader only



Blades  
36.0640.01  
30 x 30 mm



Blades  
36.0640.02  
40 x 40 mm



Blades  
36.0640.03  
50 x 50 mm

36.0640.03

**36-026**

[www.hilbro.net](http://www.hilbro.net)

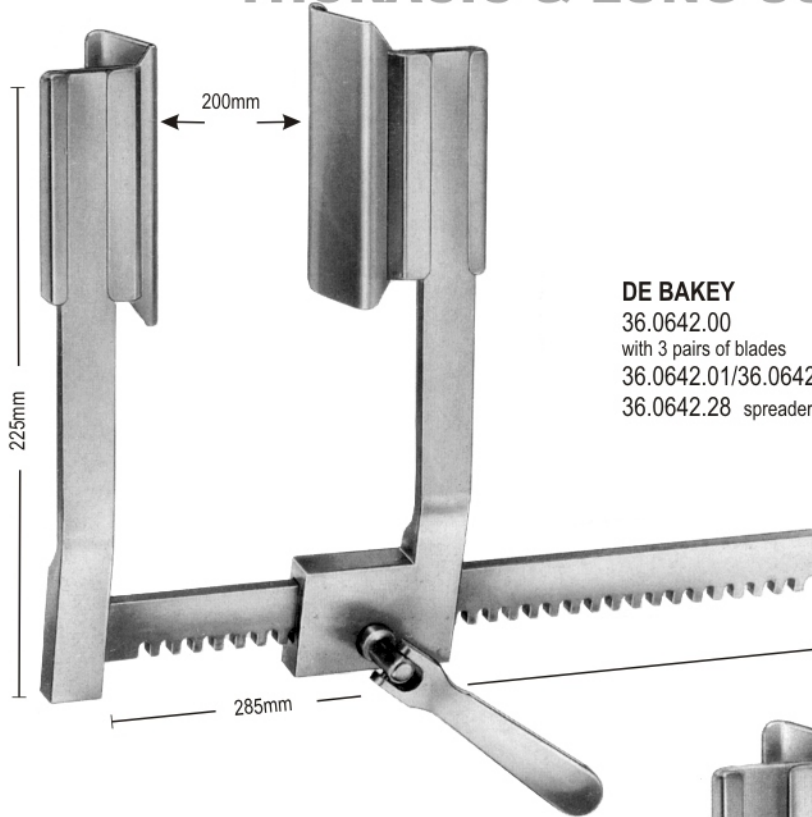
Rib Spreaders EN

Rippensperrer DE

Separadores ES

36

# THORACIC & LUNG SURGERY



## DE BAKEY

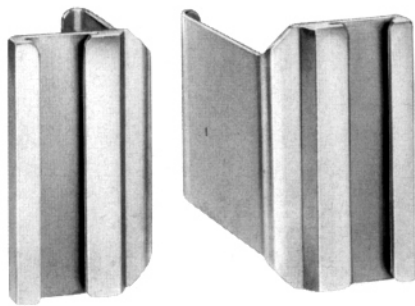
36.0642.00

with 3 pairs of blades

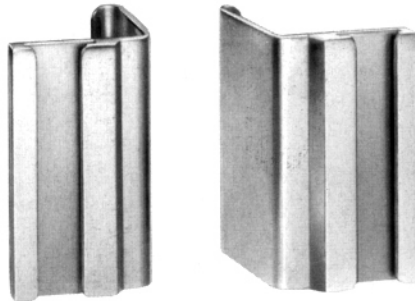
36.0642.01/36.0642.02/36.0642.03

36.0642.28 spreader only

blades  
36.0642.01  
60 x 60 mm



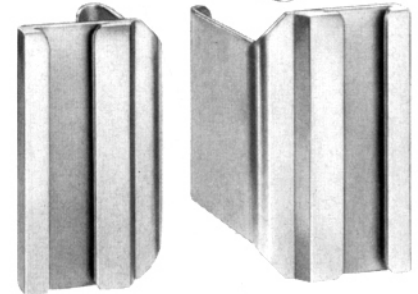
blades  
36.0642.02  
50 x 80 mm



blades  
36.0642.03  
40 x 100 mm



blades  
36.0642.04  
80 x 60 mm



blades  
36.0642.05  
50 x 66 mm



36.0642.05

**36-027**

[www.hilbro.net](http://www.hilbro.net)

# 36

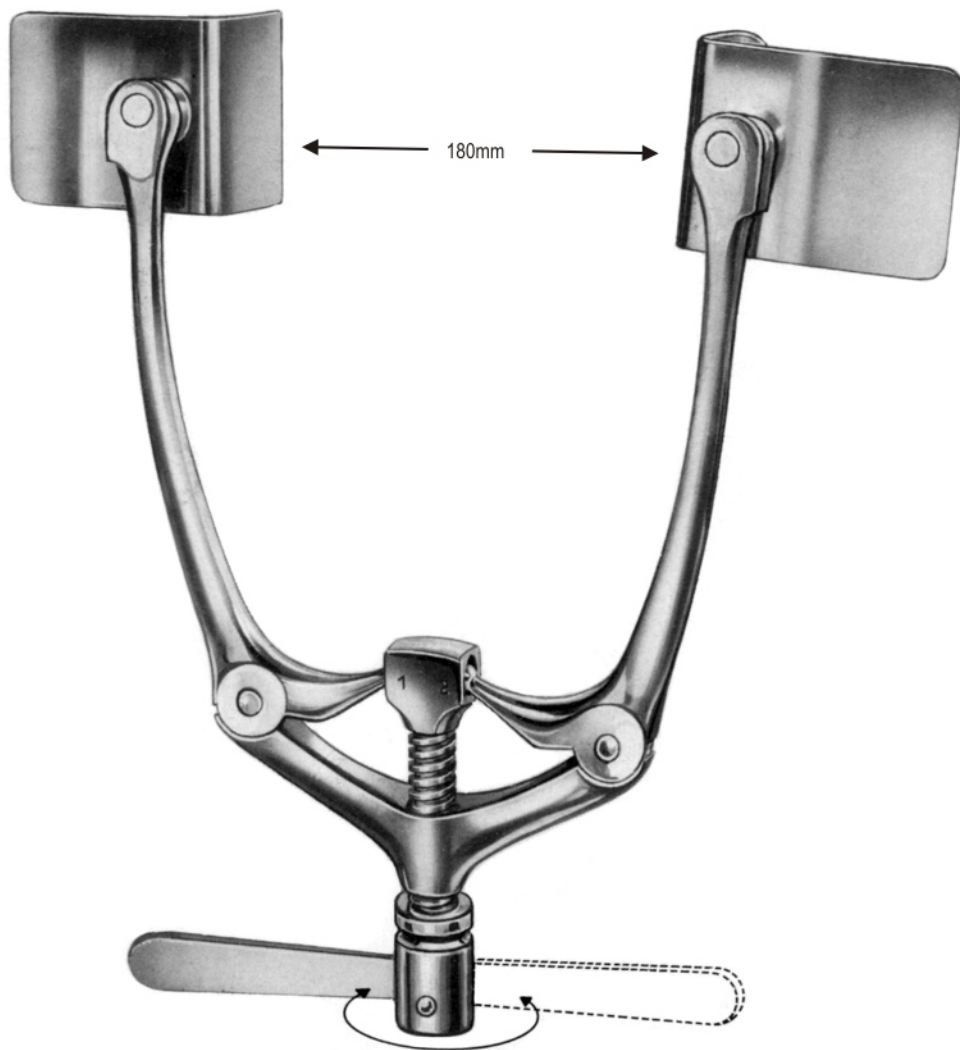
EN Rib Spreaders

DE Rippensperrer

ES Separadores

**Hilbro**

## THORACIC & LUNG SURGERY



**QUERVAIN**  
36.0650.00  
35 X 50 X 180 mm

36.0650.00

**36-028**

[www.hilbro.net](http://www.hilbro.net)

Rib Spreaders EN

Rippensperrer DE

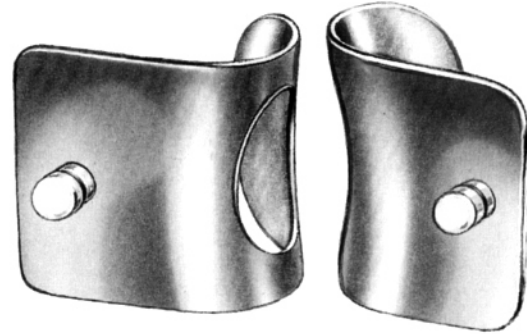
Separadores ES

36

## THORACIC & LUNG SURGERY

Hilbro

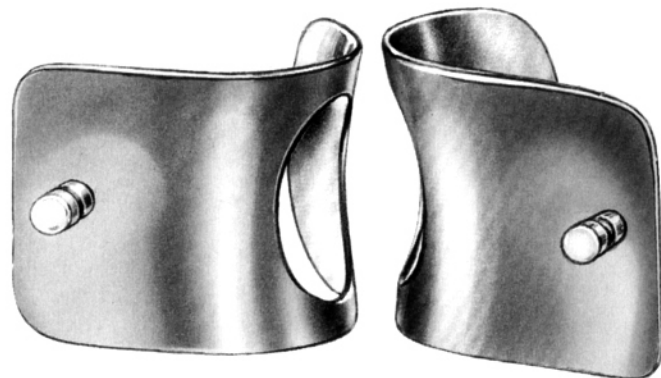
42 x 65 mm



36.0660.65



75 x 75 mm



36.0660.75

- 36.0660.00 complete consisting of:
- 36.0660.01 retractor only
- 36.0660.65 1 pair blades 42x65mm
- 36.0660.75 1 pair blades 75x75mm

36.0660.75

**36-029**

[www.hilbro.net](http://www.hilbro.net)



## THORACIC & LUNG SURGERY



**ALLISON**  
 36.0690.25 25.0cm  
 36.0690.30 30.0cm  
 36.0690.32 32.0cm



36.0700.26  
 26.0cm



**CRAFOORD**  
 36.0710.28  
 28.0cm



**BAILEY-BABY**  
 36.0720.14  
 14.0cm



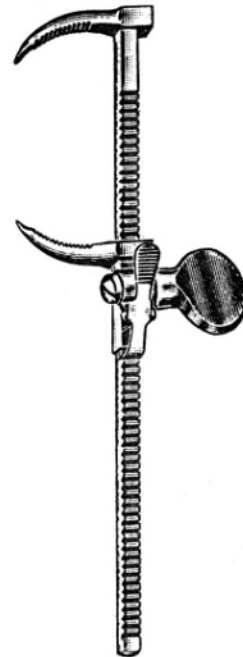
**BAILEY**  
 36.0722.16 16.0cm  
 36.0722.20 20.0cm



**BAILY-GIBBON**  
 36.0724.16 16.0cm  
 36.0724.20 20.0cm



36.0730.19  
 19.0cm



**LEMMON**  
 36.0740.14 14.5cm  
 36.0740.18 18.0cm

36.0740.18

**36-030**

www.hilbro.net

Bronchus Forceps, Ligature Forceps EN

Bronchusklemmen, Ligaturklemmen DE

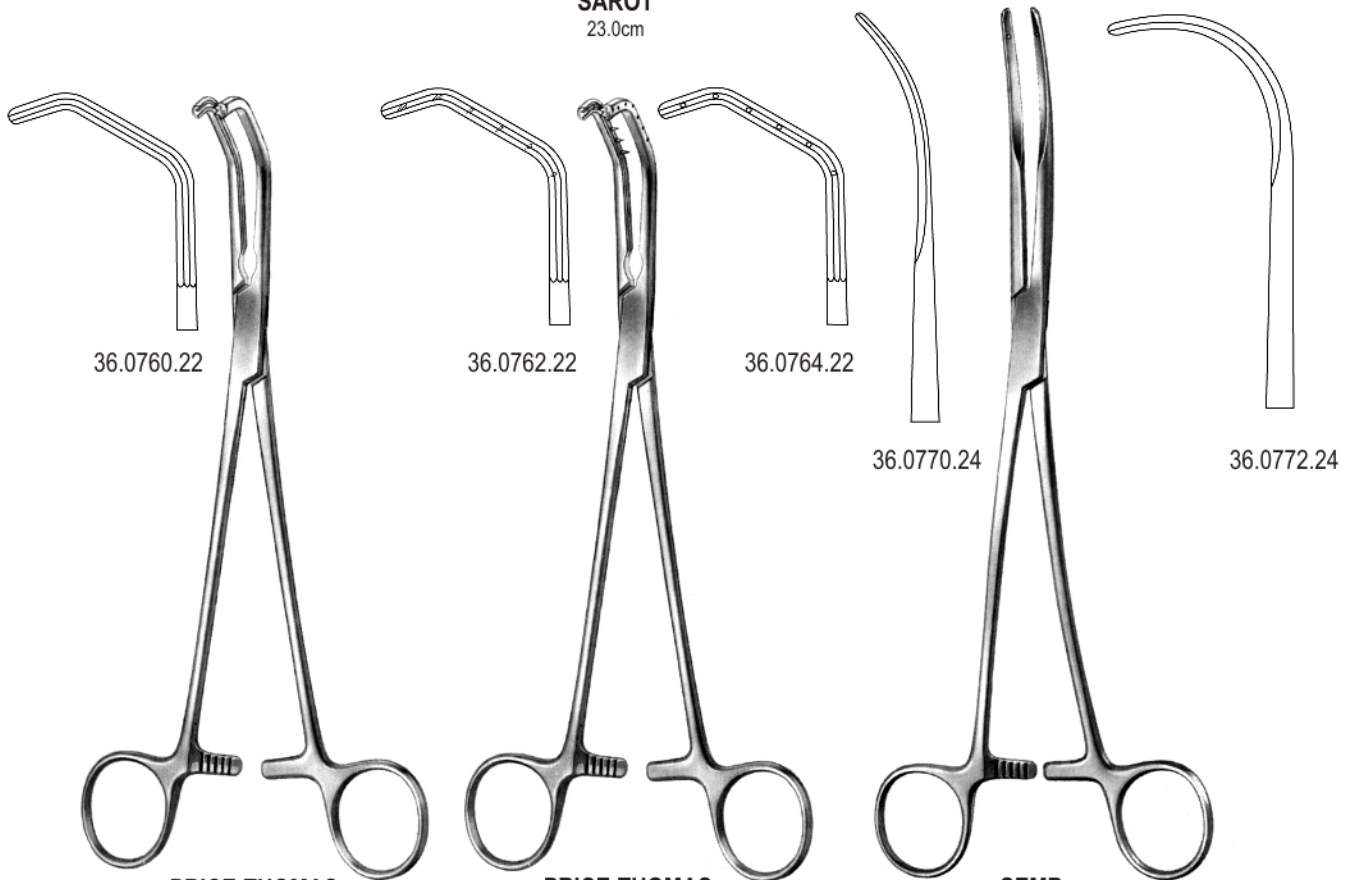
Pinzas clamps bronquiales, pinzas para ligaduras ES

36

THORACIC & LUNG SURGERY



SAROT  
23.0cm



36.0760.22

36.0762.22

36.0764.22

36.0770.24

36.0772.24

PRICE-THOMAS  
22.0cm

PRICE-THOMAS  
22.0cm

SEMB  
24.0cm

36.0772.24

36-031

www.hilbro.net