

NEURO SURGERY

30



PAGE 001 to 025



- EN Neuro Surgery
- DE Neurochirurgie
- ES Neuro cirugía

SERVING HEALTHCARE WORLDWIDE

www.hilbro.net



NEURO SURGERY



RANEY
30.0010.16 16.5cm



RANEY
30.0012.16 16.5cm



DAHLGREN
30.0020.20 20.0cm



DE VILBISS
30.0026.21 21.0cm



MARTEL
30.0030.33 33.0cm

30.0030.33

30-001

www.hilbro.net

30

EN Cervical Traction Tongs

DE Schadelhalter

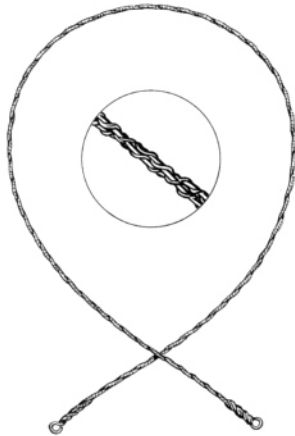
ES Pinzas de traccion cranial

Hilbro

NEURO SURGERY



GIGLI
30.0040.00



OLIVECRONA

| | 2 twist | 3 twist | 4 twist |
|--------|------------|------------|------------|
| 30.0cm | 30.0042.30 | 30.0043.30 | 30.0044.30 |
| 40.0cm | 30.0042.40 | 30.0043.40 | 30.0044.40 |
| 50.0cm | 30.0042.50 | 30.0043.50 | 30.0044.50 |
| 60.0cm | 30.0042.60 | 30.0043.60 | 30.0044.60 |
| 70.0cm | 30.0042.70 | 30.0043.70 | 30.0044.70 |



CRUTCHFIELD
30.0050.01



CRUTCHFIELD
30.0050.02



30.0050.04 30.0050.05
3.5mm Ø 5mm Ø



30.0054.00 complete
30.0054.10 spare pins

30.0054.10

30-002

www.hilbro.net

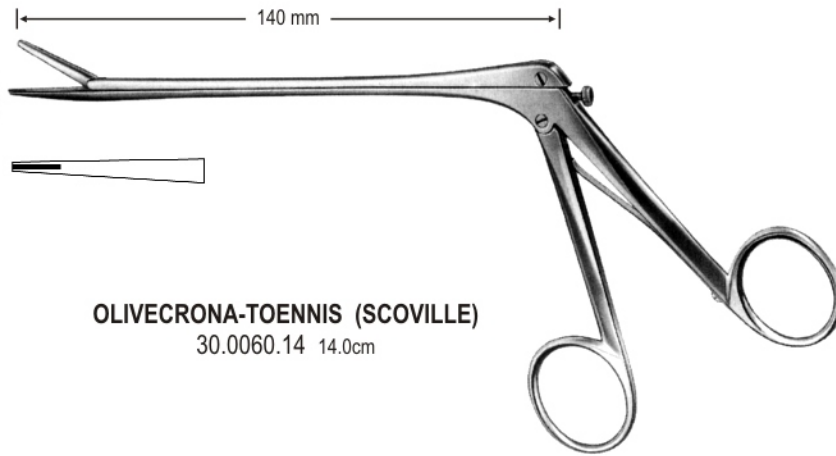
Clips Applying Forceps EN

Clips Anlegezangen DE

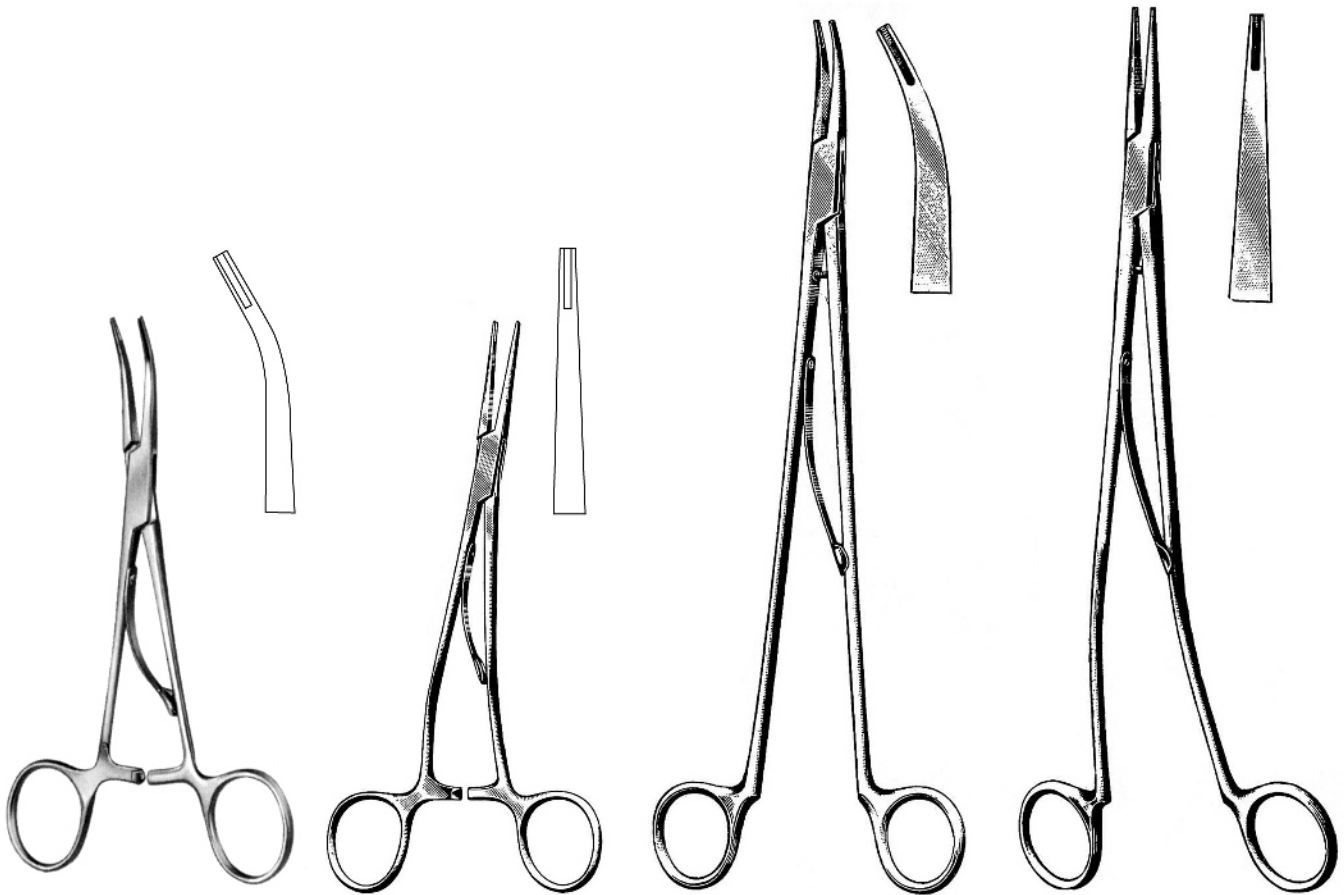
Grapas pinzas aplicadoras ES

30

NEURO SURGERY



OLIVECRONA-TOENNIS (SCOVILLE)
30.0060.14 14.0cm



MCKENZIE
30.0070.15 15.0cm
30.0070.19 19.0cm

MCKENZIE
30.0072.15 15.0cm
30.0072.19 19.0cm

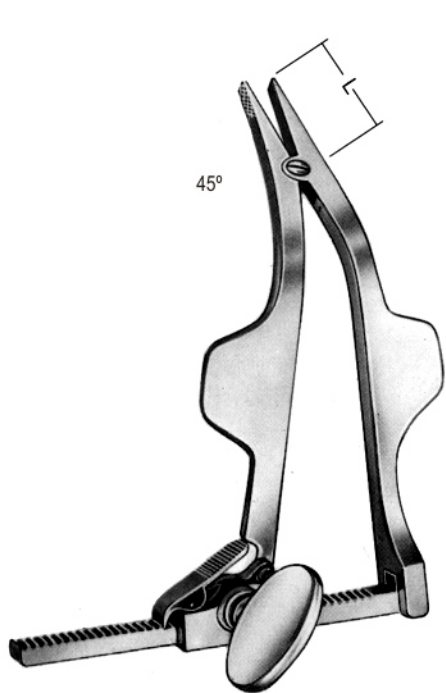
SMITHWICK
30.0080.23 23.0cm
30.0080.26 26.0cm

SWEET
30.0082.23 23.0cm
30.0082.25 25.0cm

30.0082.25

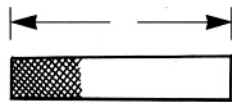
30-003

www.hilbro.net



45°

CLOWARD
15.0cm



LENGTH

| | | |
|------------|-------|------------|
| 30.0090.30 | 30mm | 30.0092.30 |
| 30.0090.50 | 50mm | 30.0092.50 |
| 30.0090.70 | 70mm | 30.0092.70 |
| 30.0090.90 | 90mm | 30.0092.90 |
| 30.0090.10 | 110mm | 30.0092.10 |



45°

CLOWARD
17.0cm



CLOWARD
30.0096.16 16.0cm



INGE
30.0100.16 16.5cm

30.0100.16

30-004

www.hilbro.net

Lamina Spreaders EN
Wirbelkörperspeizer DE
Separadores para cuerpos vertebrales ES

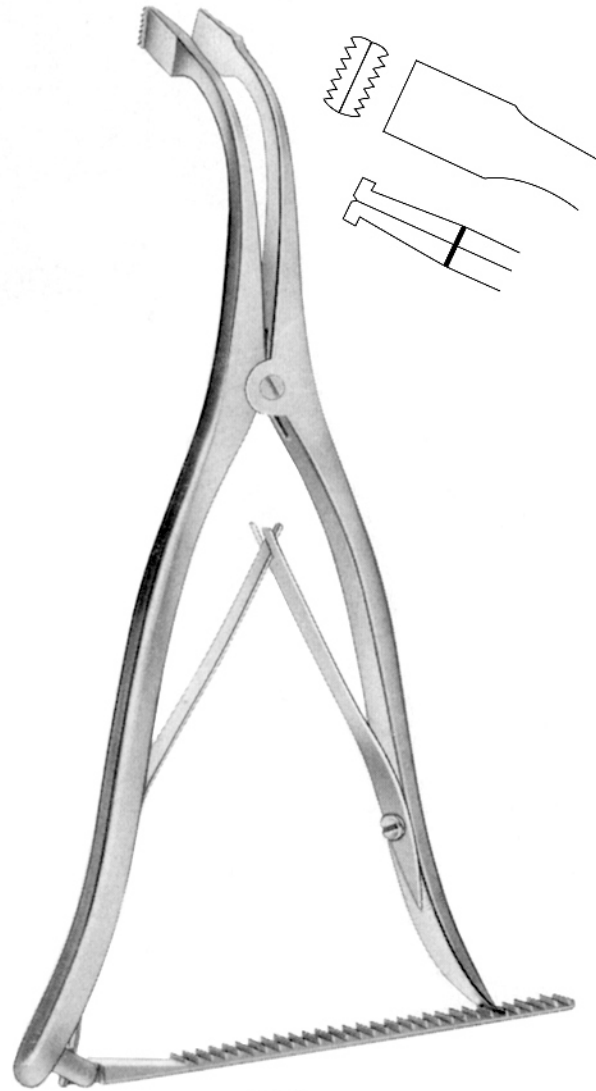
30

NEURO SURGERY

Hilbro



INGE
30.0102.24 24.0cm
Blade opening 50mm



INGE
30.0104.27 27.0cm

30.0104.27

30-005

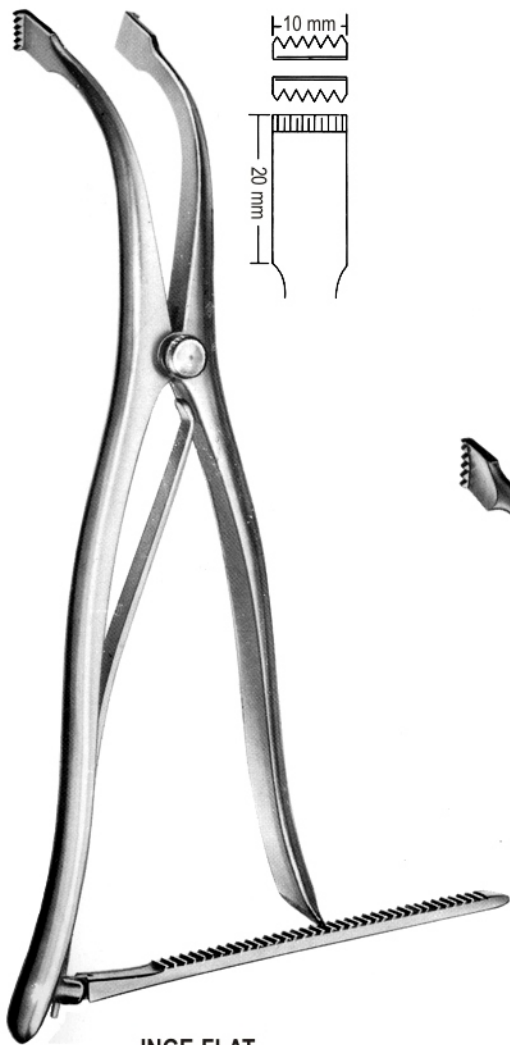
www.hilbro.net

30

EN Lamina Spreaders
DE Wirbelkörperspeizer
ES Separadores para cuerpos vertebrales

Hilbro

NEURO SURGERY



INGE-FLAT
30.0106.24 24.0cm
2 flat jaws
Blade opening 50mm



INGE-CURVED
30.0108.24 24.0cm
2 cupped jaws
Blade opening 50mm



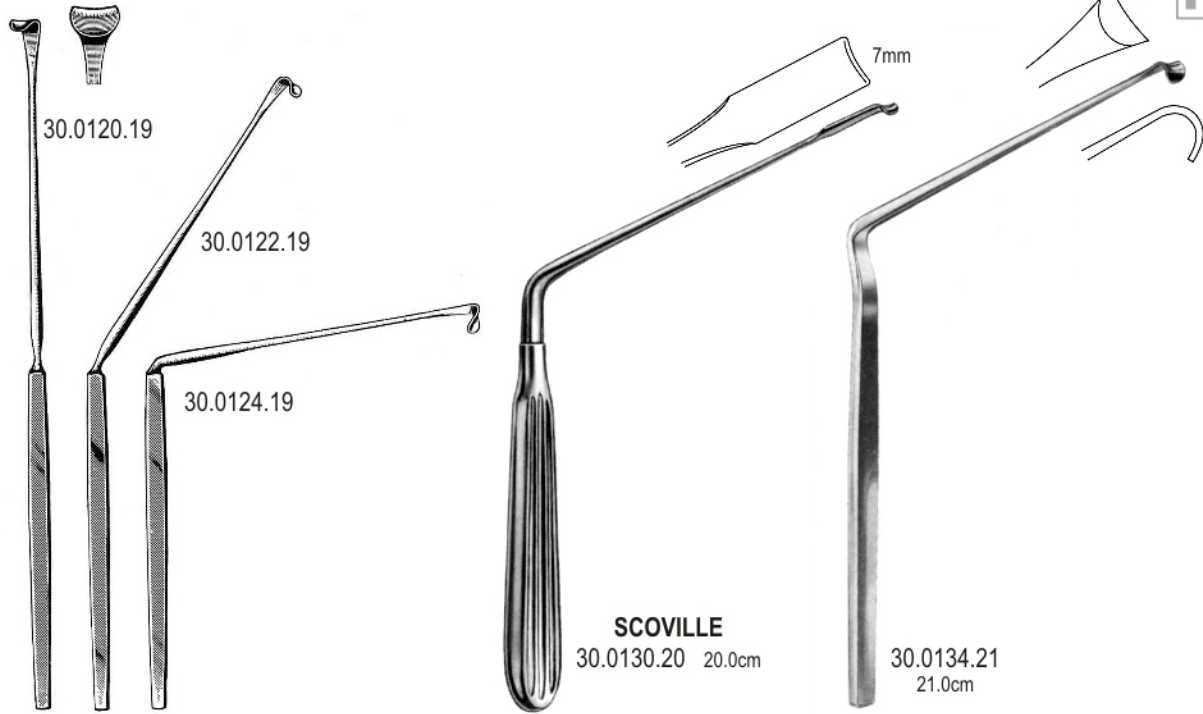
30.0116.28 28.0cm
serrated jaws
Blade opening 75mm

30.0116.28

30-006

www.hilbro.net

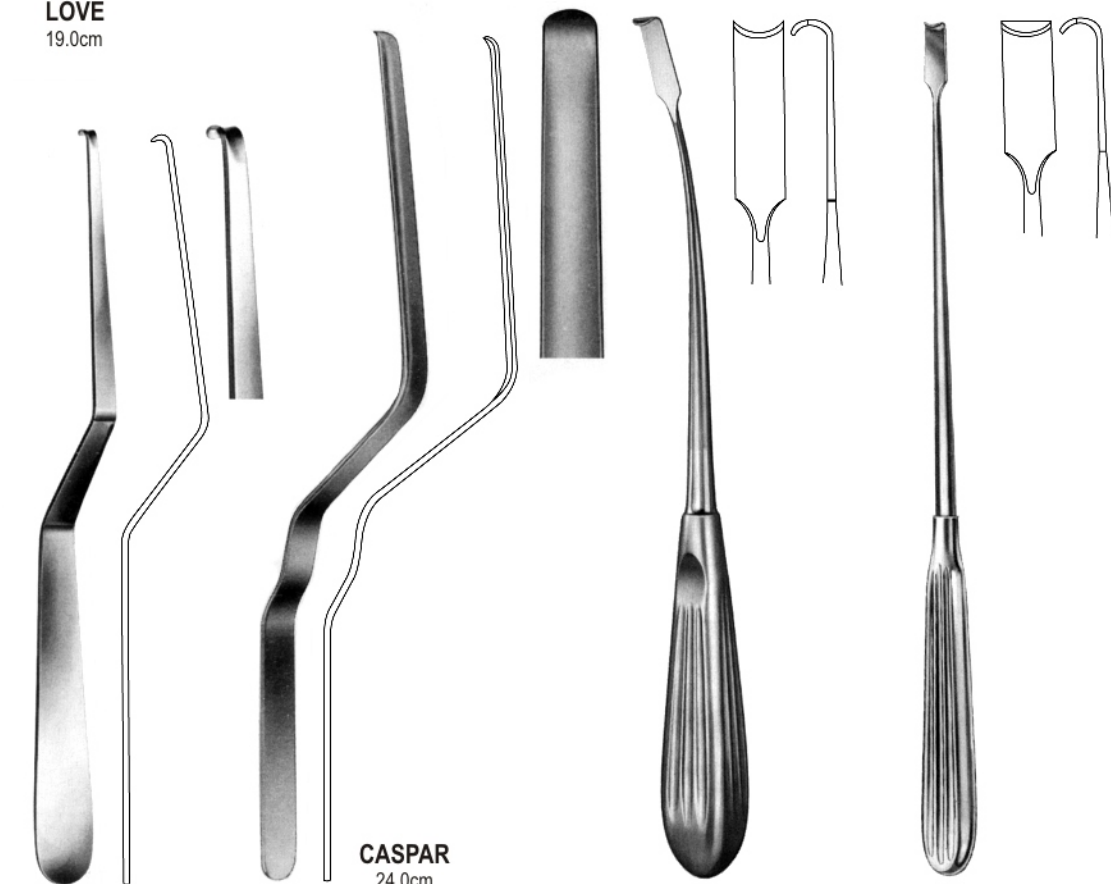
NEURO SURGERY



LOVE
19.0cm

SCOVILLE
30.0130.20 20.0cm

30.0134.21
21.0cm



LOVE
30.0140.21
21.0cm

CASPAR
24.0cm
30.0144.06 6mm wide
30.0144.08 8mm wide
30.0144.10 10mm wide

HOLSHER
30.0150.24
24.0cm

SCOVILLE
30.0154.23
23.0cm

30.0154.23

30-007

www.hilbro.net

30

EN Dura Hooks

DE Durahaken

ES Ganchos para dura-madre

Hilbro

NEURO SURGERY



CUSHING

30.0160.14
14.0cm



sharp



blunt

FRAZIER

30.0164.13 13.0cm 30.0166.13
30.0164.18 18.0cm 30.0166.18



LAHEY

30.0170.13
13.0cm



TOENNIS

30.0174.15
15.0cm



GRAHAM

30.0180.16
16.5cm



SACHS

30.0184.18
18.5cm



DANDY

30.0190.20
20.0cm



DANDY

30.0192.20
20.0cm



DANDY

30.0194.20
20.0cm



HOEN

30.0200.22
22.0cm



ADSON

30.0204.20
20.0cm



ADSON

30.0206.20
20.0cm

30.0206.22

30-008

www.hilbro.net

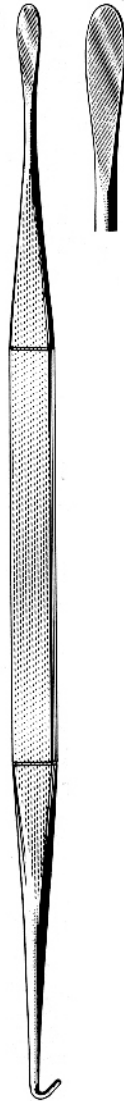
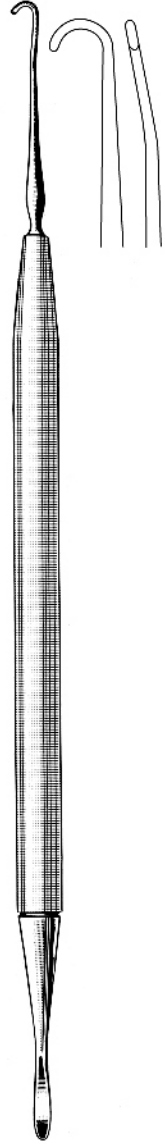
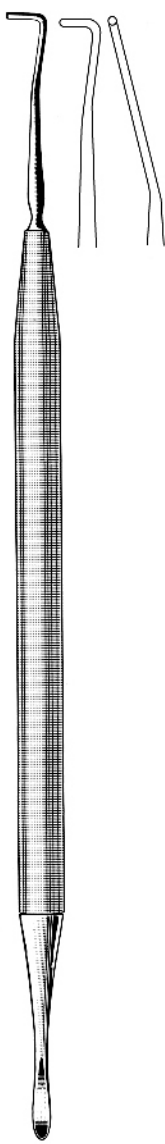
Nerve Hooks EN

Nervhaken DE

Ganchos para nervios ES

30

NEURO SURGERY



SCOVILLE
30.0210.30 30.0cm

SCOVILLE
30.0212.30 30.0cm

SMITHWICK
30.0216.29 29.0cm

CUSHING
30.0220.19 19.0cm
30.0220.28 28.0cm

CUSHING
30.0222.19 19.0cm
30.0222.28 28.0cm

SMITHWICK
30.0226.17 17.0cm
30.0226.21 21.0cm

30.0226.21

30-009

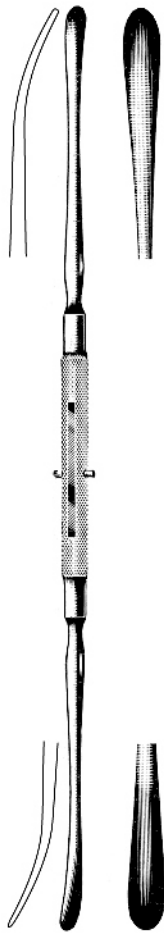
www.hilbro.net

30

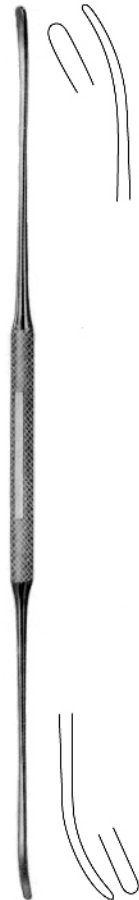
EN Dura Dissectors
DE Dura-Dissektoren
ES Disecadores para dura-madre

Hilbro

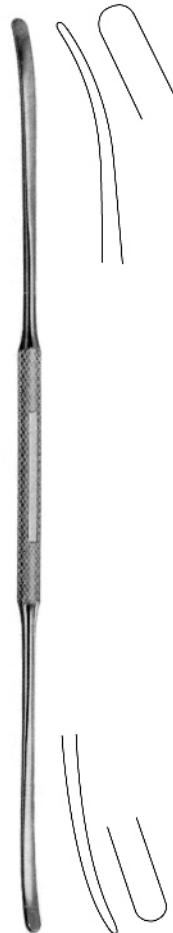
NEURO SURGERY



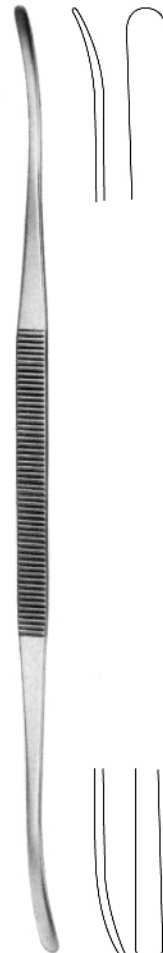
DAVIS
30.0230.24 24.5cm



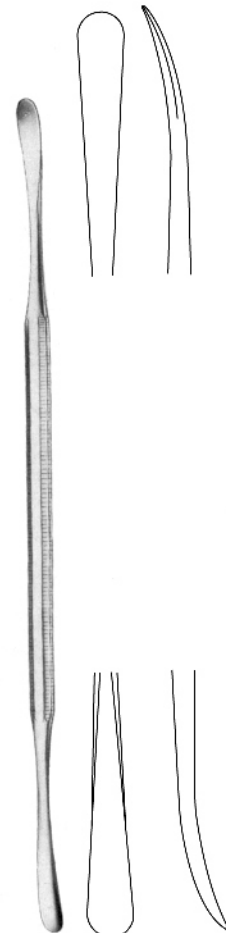
OLIVECRONA
30.0234.18 18.0cm
30.0234.24 24.0cm



OLIVECRONA
30.0236.19 19.5cm
30.0236.24 24.0cm



TOENNIS
30.0240.25 25.0cm



30.0244.22 22.0cm

30.0244.22

30-010

www.hilbro.net

NEURO SURGERY



Fig.1



PENFIELD
30.0250.01 17.5cm

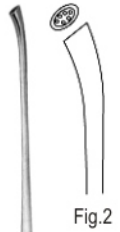


Fig.2



PENFIELD
30.0250.02 19.5cm

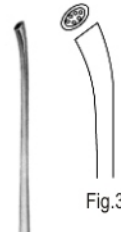


Fig.3



PENFIELD
30.0250.03 19.5cm

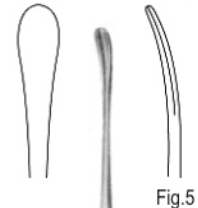
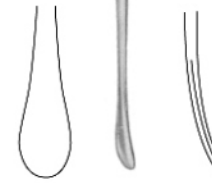


Fig.5



PENFIELD
30.0250.05 29.0cm

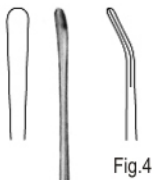


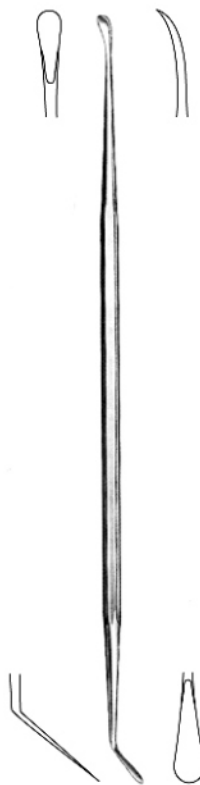
Fig.4



PENFIELD
30.0250.04 21.5cm



SACHS
30.0254.21 21.0cm



MILLIGAN
30.0260.21 21.0cm



SACHS
30.0264.21 21.0cm



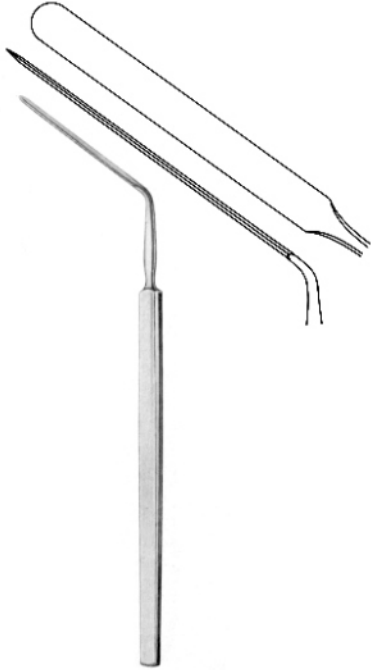
SACHS
30.0266.21 21.0cm

30.0266.21

30-011

www.hilbro.net

NEURO SURGERY



HORSLEY
30.0270.20 20.0cm



FRAZIER
30.0274.15 15.0cm



HOEN
30.0280.15 15.0cm



HOEN
30.0282.15 15.0cm



HALLE
30.0290.20 20.0cm



TOENNIS
30.0294.13 13.0cm
30.0294.19 19.0cm



30.0300.19 19.0cm



30.0302.19 19.0cm



30.0304.19 19.0cm



30.0306.19 19.0cm

30.0306.19

30-012

www.hilbro.net

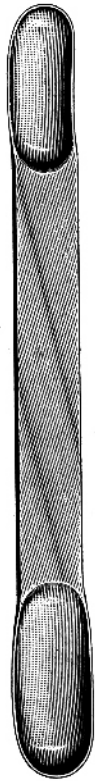
Brain Spatulas EN

Hirnspatel DE

Espatulas cerebrales ES

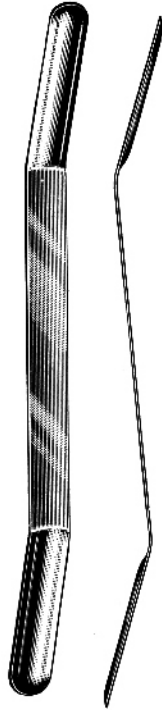
30

NEURO SURGERY



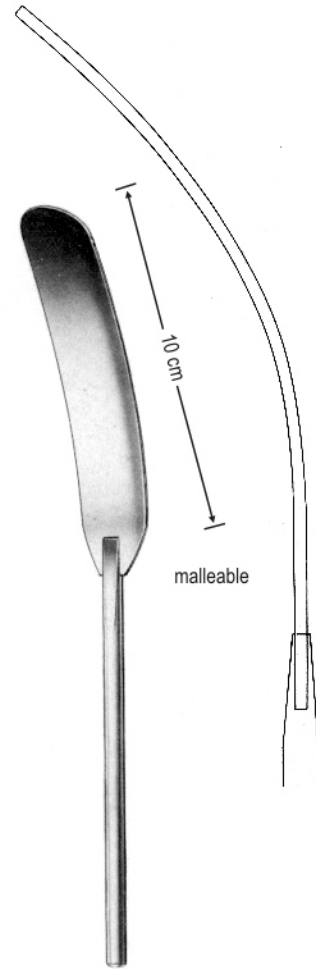
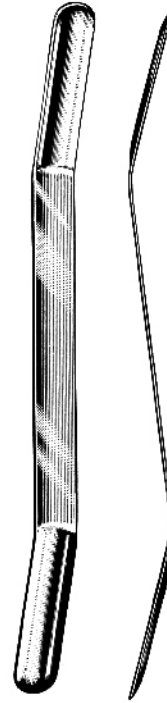
CUSHING

- 30.0310.17 17.0cm
- 30.0310.20 20.0cm
- 30.0310.28 28.0cm



OLIVECRONA

- | | | |
|------------|-------------------|------------|
| | 18.0cm | |
| concave | width of spatulas | convex |
| 30.0320.18 | 7x9mm | 30.0330.18 |
| 30.0322.18 | 11x13mm | 30.0332.18 |
| 30.0324.18 | 15x18mm | 30.0334.18 |
| 30.0326.18 | 18x22mm | 30.0336.18 |



HEIFETZ

- | | |
|------------|--------|
| | 20.0cm |
| 30.0340.08 | 8mm |
| 30.0340.11 | 11mm |
| 30.0340.14 | 14mm |
| 30.0340.17 | 17mm |
| 30.0340.20 | 20mm |

30.0340.20

30-013

www.hilbro.net

30

EN Brain Spatulas

DE Hirnspatel

ES Espatulas cerebrales

Hilbro

NEURO SURGERY



DAVIS

17.5cm (malleable, nickel silver)

- 30.0350.06 6mm
- 30.0350.09 9mm
- 30.0350.13 13mm
- 30.0350.16 16mm
- 30.0350.19 19mm
- 30.0350.25 25mm
- 30.0350.32 32mm
- 30.0350.38 38mm



SCOVILLE

20.0cm (double-ended)

- 30.0356.13 10x13mm
- 30.0356.19 16x19mm



MAYFIELD

30.0360.20 20.0cm



CHILDRENS

30.0364.21 21.0cm

30.0364.21

30-014

www.hilbro.net

NEURO SURGERY



FRAZIER
30.0370.10 2mm, 10.0cm
30.0370.12 3mm, 12.0cm



ADSON (Graduated)
30.0374.10 Fr.9,10.0cm
30.0374.14 Fr.9,14.0cm



ELSBORG
11.0cm
30.0380.05 Fr.5
30.0380.07 Fr.7
30.0380.09 Fr.9



FRAZIER
Charr. 19.0cm
FG 30° 75°
06 06.0240.06 06.0242.06
07 06.0240.07 06.0242.07
08 06.0240.08 06.0242.08
09 06.0240.09 06.0242.09
10 06.0240.10 06.0242.10
11 06.0240.11 06.0242.11
12 06.0240.12 06.0242.12



ADSON
06.0266.40
4mm, 21.0cm

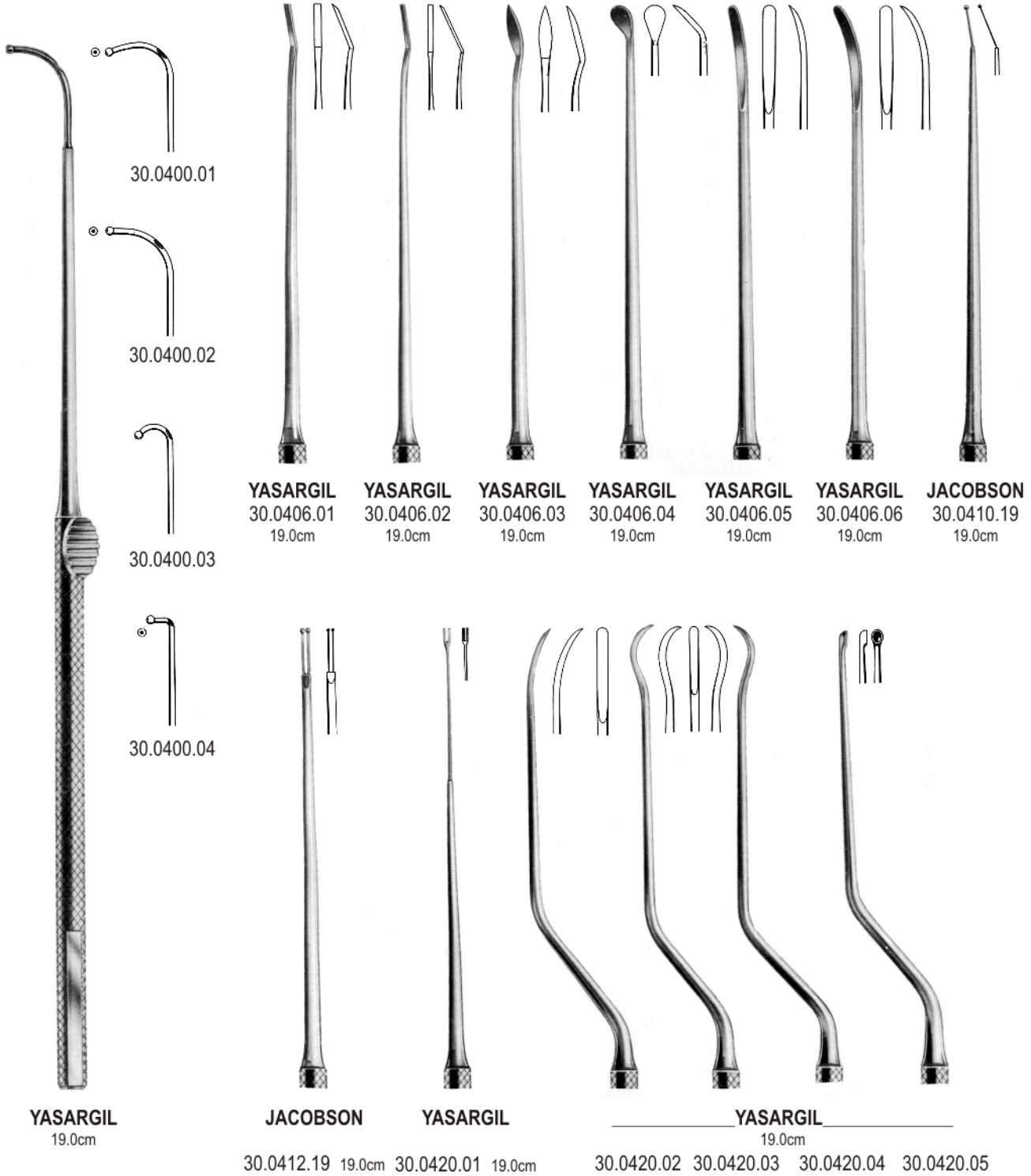
30.0380.09

30-015

www.hilbro.net



NEURO SURGERY



30.0420.05

30-016

www.hilbro.net

NEURO SURGERY

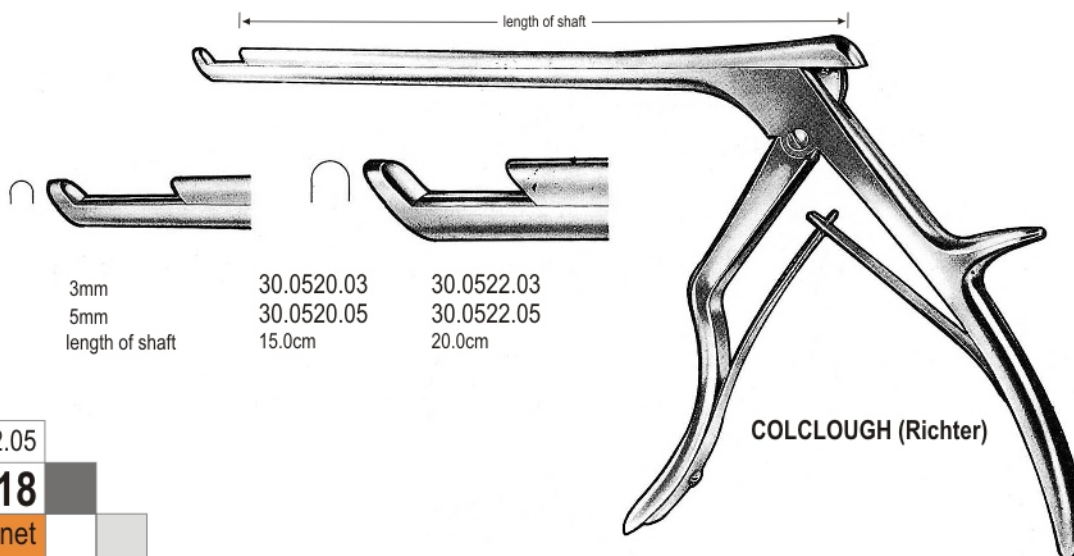
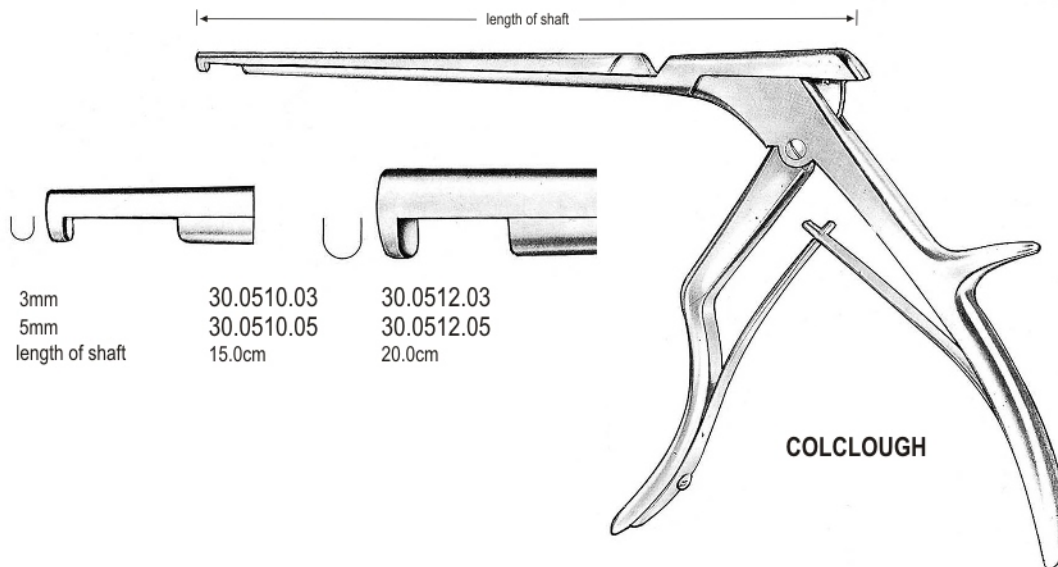
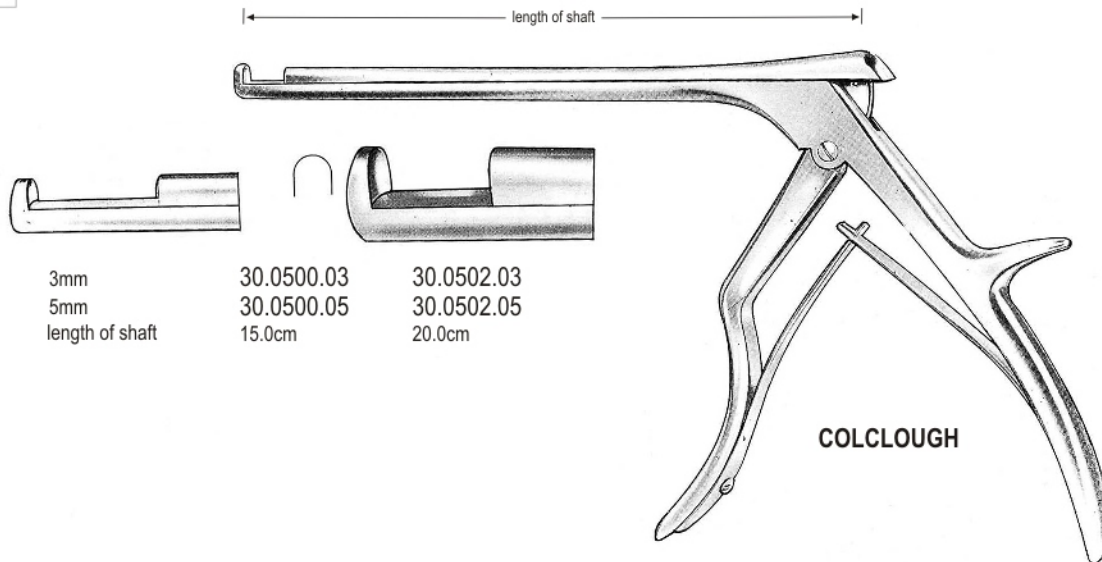


30.0450.04

30-017

www.hilbro.net

NEURO SURGERY



30.0522.05

30-018

www.hilbro.net

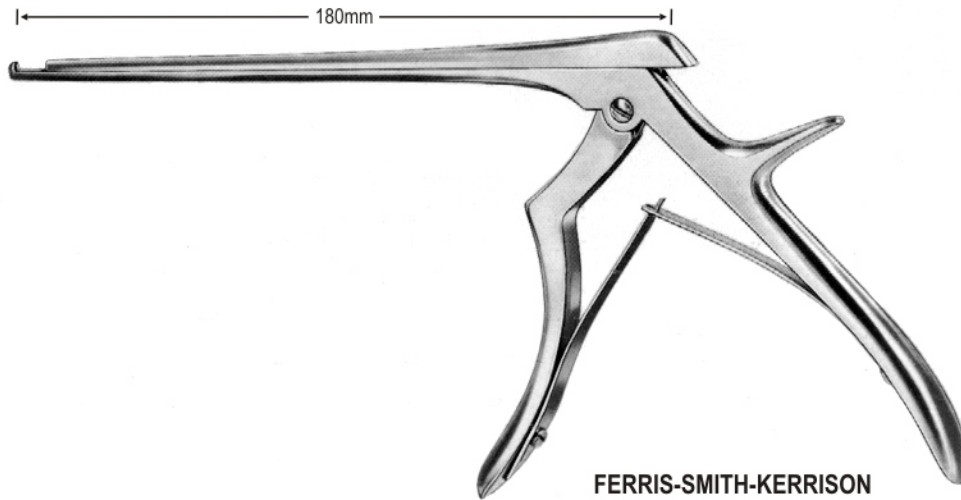
Intervertebral Disc Rongeurs EN

Bandscheibenstanzen DE

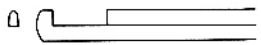
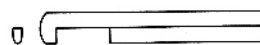
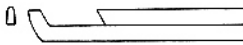
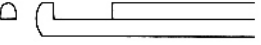
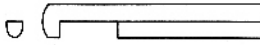
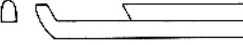
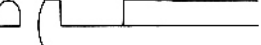
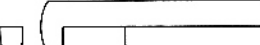
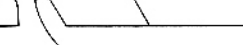
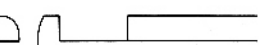
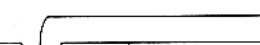

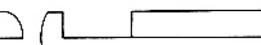
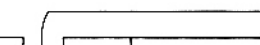


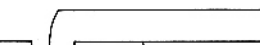

Pinzas cortantes para discos intervertebrales ES

30

NEURO SURGERY



FERRIS-SMITH-KERRISON

| Cutting up ward | Cutting down ward | Cutting 40° forward |
|--|--|--|
|  30.0530.01 1mm |  30.0532.01 1mm |  30.0534.01 1mm |
|  30.0530.02 2mm |  30.0532.02 2mm |  30.0534.02 2mm |
|  30.0530.03 3mm |  30.0532.03 3mm |  30.0534.03 3mm |
|  30.0530.04 4mm |  30.0532.04 4mm |  30.0534.04 4mm |
|  30.0530.05 5mm |  30.0532.05 5mm |  30.0534.05 5mm |
|  30.0530.06 6mm |  30.0532.06 6mm |  30.0534.06 6mm |

30.0534.06

30-019

www.hilbro.net

30

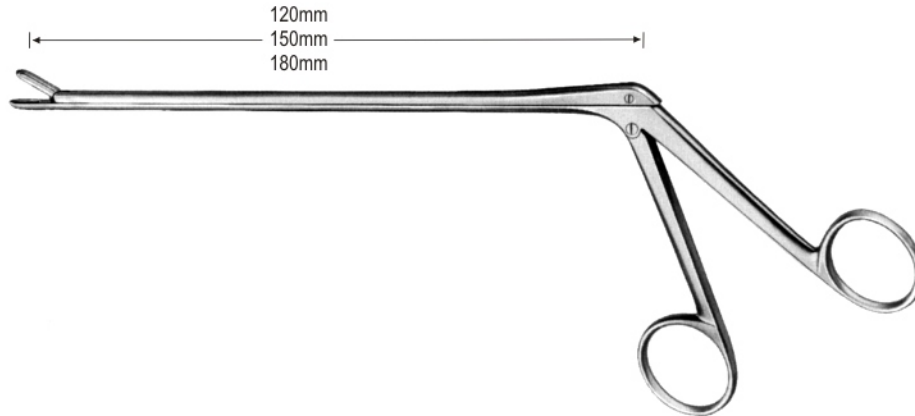
EN Intervertebral Disc Rongeurs

DE Bandscheibenstanzen

ES Pinzas cortantes para discos intervertebrales

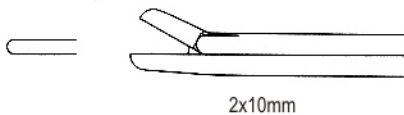
Hilbro

NEURO SURGERY

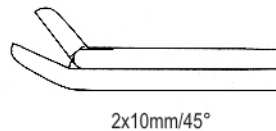


CUSHING

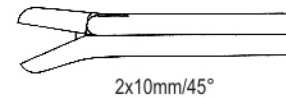
2mm



30.0540.01 12.0cm
30.0540.02 15.0cm
30.0540.03 18.0cm



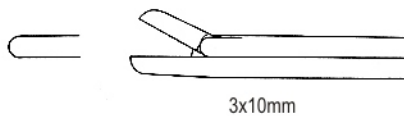
30.0542.01 12.0cm
30.0542.02 15.0cm
30.0542.03 18.0cm



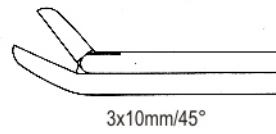
30.0544.01 12.0cm
30.0544.02 15.0cm
30.0544.03 18.0cm

LOVE-GRUENWALD

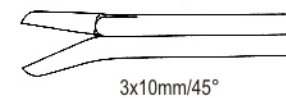
3mm



30.0550.01 12.0cm
30.0550.02 15.0cm
30.0550.03 18.0cm



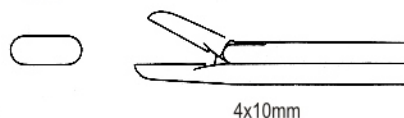
30.0552.01 12.0cm
30.0552.02 15.0cm
30.0552.03 18.0cm



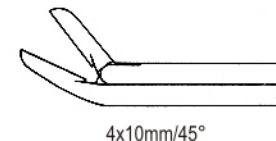
30.0554.01 12.0cm
30.0554.02 15.0cm
30.0554.03 18.0cm

SPURLING

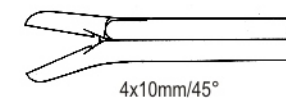
4mm



30.0560.01 12.0cm
30.0560.02 15.0cm
30.0560.03 18.0cm



30.0562.01 12.0cm
30.0562.02 15.0cm
30.0562.03 18.0cm



30.0564.01 12.0cm
30.0564.02 15.0cm
30.0564.03 18.0cm

30.0564.03

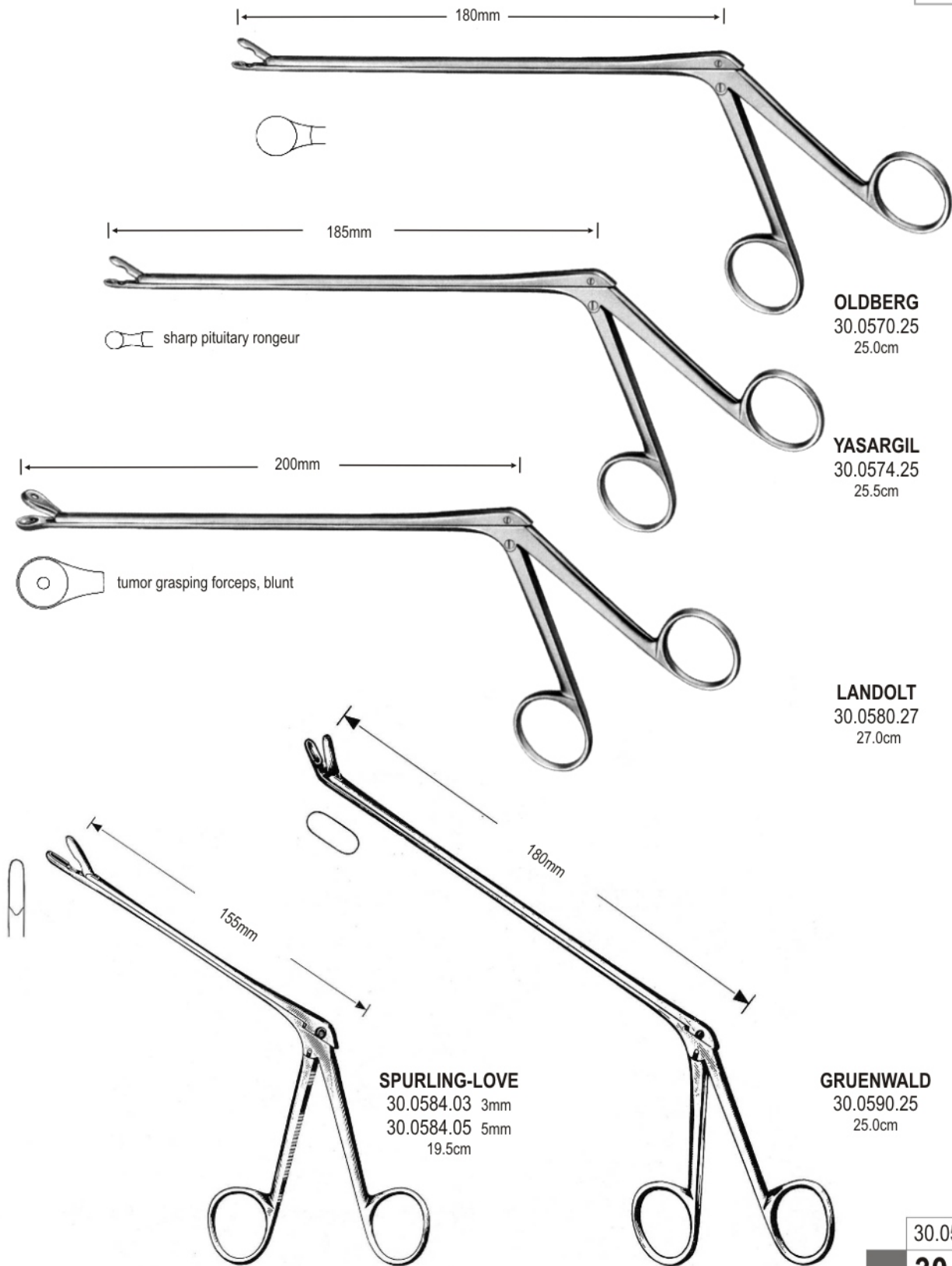
30-020

www.hilbro.net

Laminectomy Rongeurs EN
 Laminektomie-Zangen DE
 Pinzas cortantes para laminectomia ES

30

NEURO SURGERY



30.0590.25

30-021

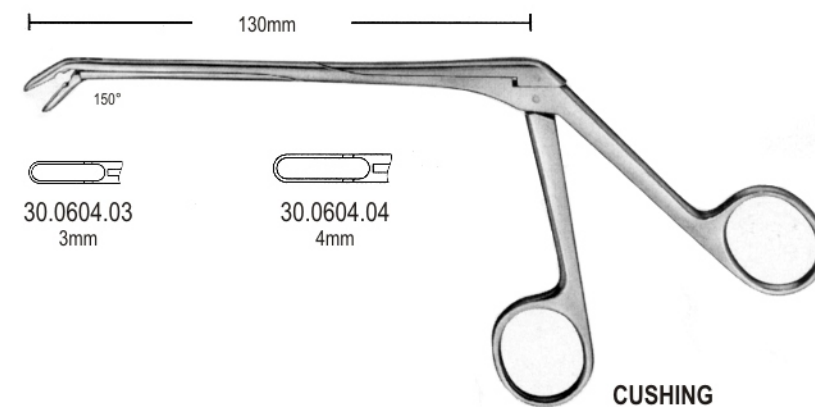
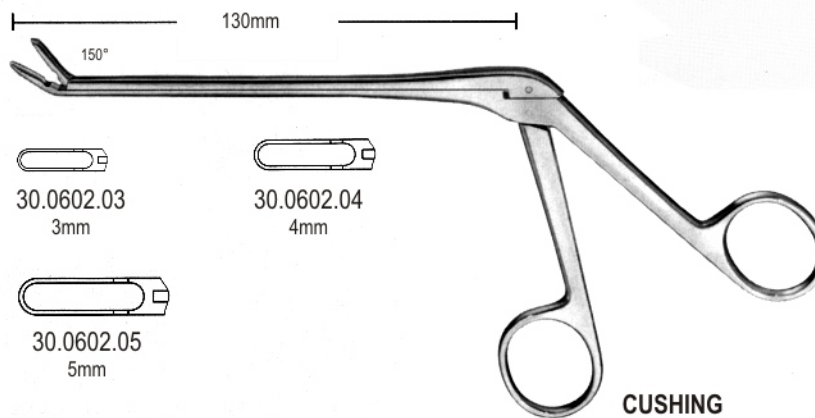
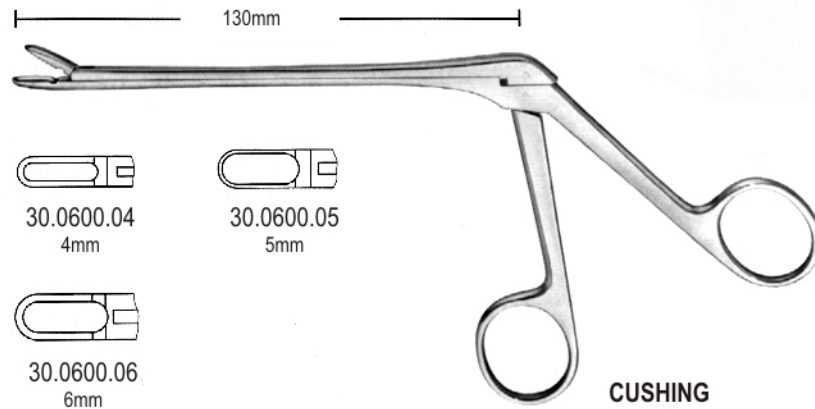
www.hilbro.net

30

- EN Laminectomy Rongeurs
- DE Laminektomie-Zangen
- ES Pinzas cortantes para laminectomia



NEURO SURGERY

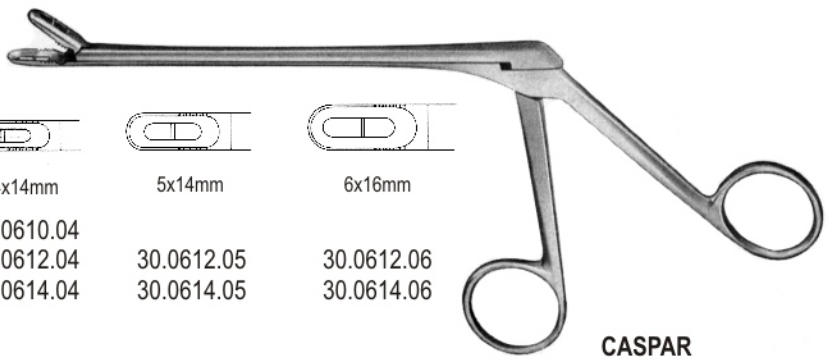





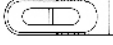
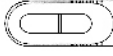
30.0604.04

30-022

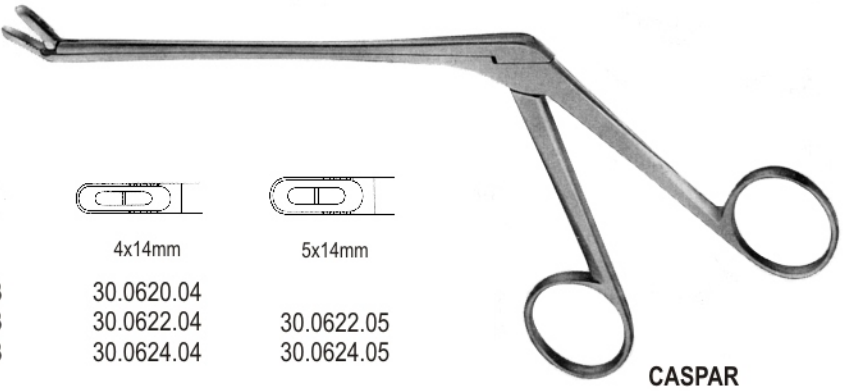
www.hilbro.net



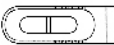
NEURO SURGERY

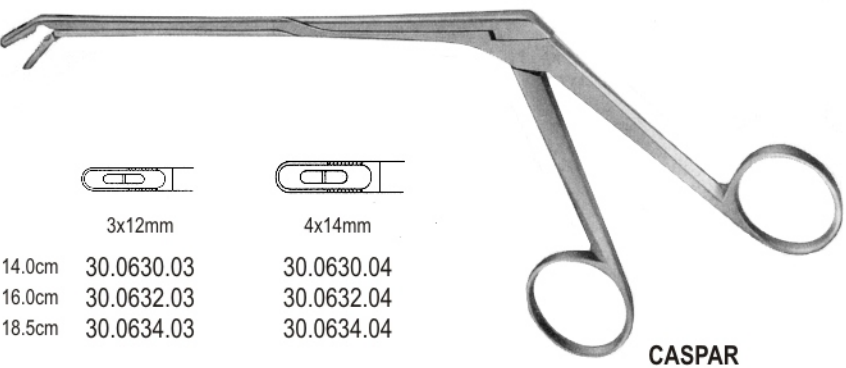
| | | | | | |
|--------|---|---|---|---|---|
| |  |  |  |  |  |
| | 2x12mm | 3x12mm | 4x14mm | 5x14mm | 6x16mm |
| 14.0cm | 30.0610.02 | 30.0610.03 | 30.0610.04 | | |
| 16.0cm | 30.0612.02 | 30.0612.03 | 30.0612.04 | 30.0612.05 | 30.0612.06 |
| 18.5cm | 30.0614.02 | 30.0614.03 | 30.0614.04 | 30.0614.05 | 30.0614.06 |



CASPAR



| | | | |
|--------|---|---|--|
| |  |  |  |
| | 3x12mm | 4x14mm | 5x14mm |
| 14.0cm | 30.0620.03 | 30.0620.04 | |
| 16.0cm | 30.0622.03 | 30.0622.04 | 30.0622.05 |
| 18.5cm | 30.0624.03 | 30.0624.04 | 30.0624.05 |

CASPAR



| | | |
|--------|---|--|
| |  |  |
| | 3x12mm | 4x14mm |
| 14.0cm | 30.0630.03 | 30.0630.04 |
| 16.0cm | 30.0632.03 | 30.0632.04 |
| 18.5cm | 30.0634.03 | 30.0634.04 |

CASPAR

30.0634.04

30-023

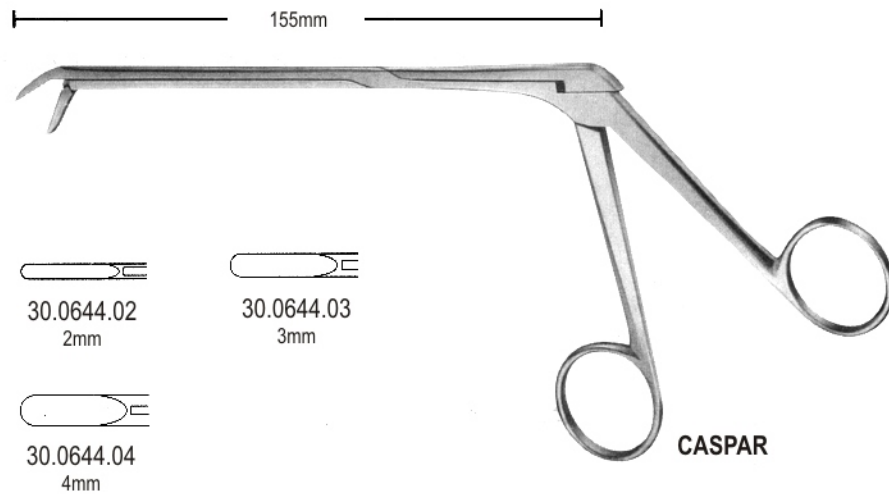
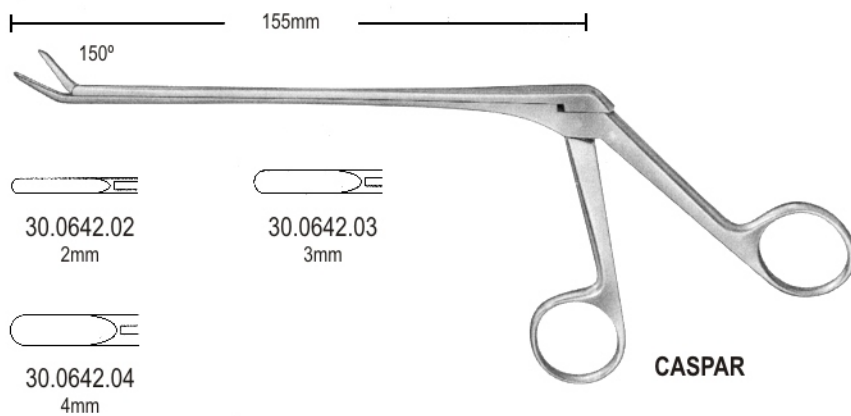
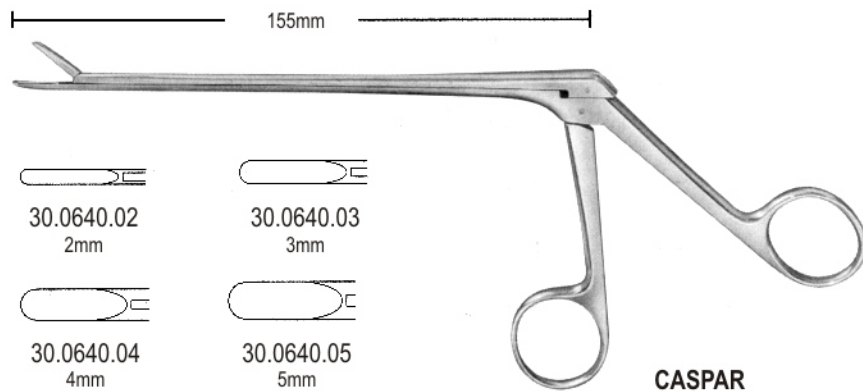
www.hilbro.net

30

- EN Laminectomy Rongeurs
- DE Laminektomie-Zangen
- ES Pinzas cortantes para laminectomia



NEURO SURGERY



30.0644.04

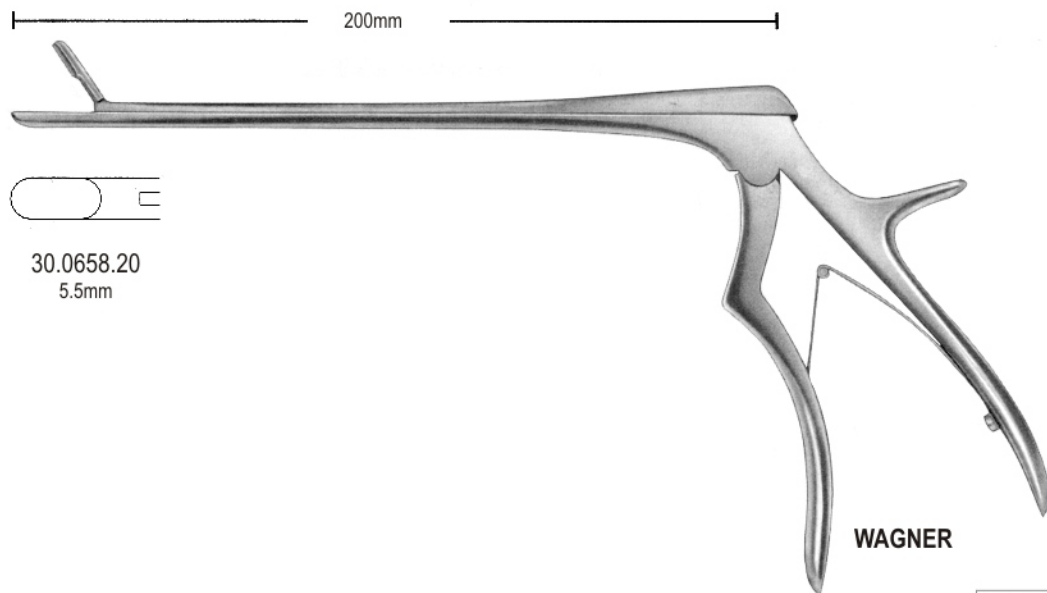
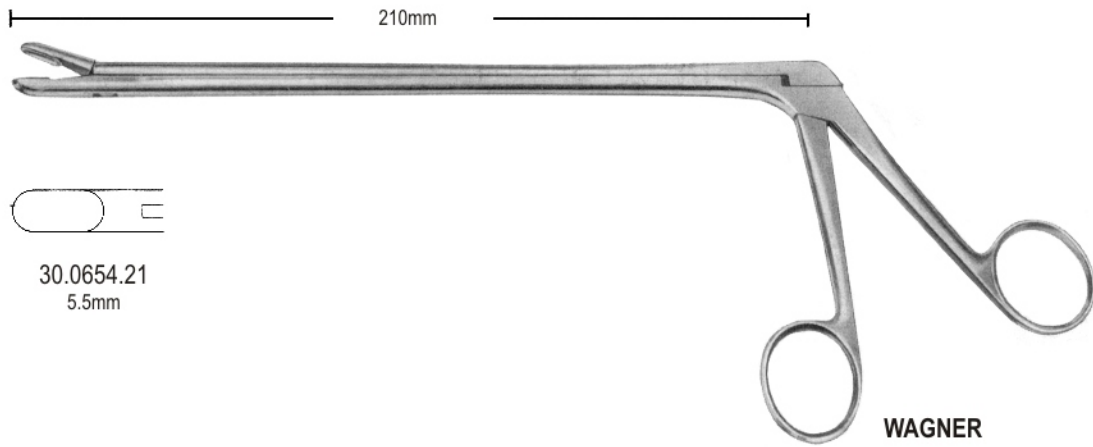
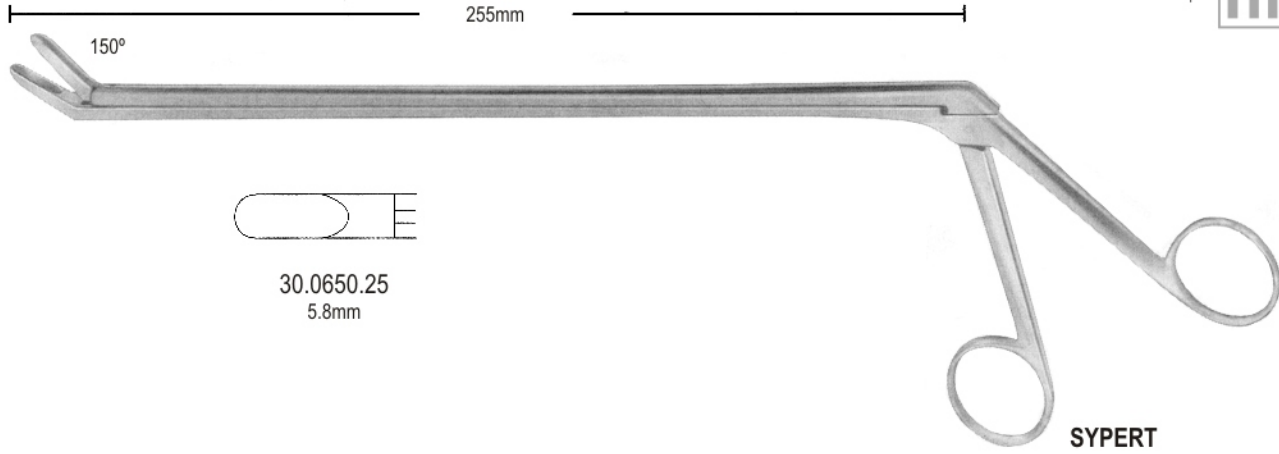
30-024

www.hilbro.net

Laminectomy Rongeurs EN
Laminektomie-Zangen DE
Pinzas cortantes para laminectomia ES

30

NEURO SURGERY



30.0658.20

30-025

www.hilbro.net